

ALESIS[®]

PRESTIGE ARTIST

User Guide

English (3 – 12)

Guía del usuario

Español (13 – 23)

Guide d'utilisation

Français (24 – 35)

Guida per l'uso

Italiano (36 – 45)

Benutzerhandbuch

Deutsch (46 – 56)

Appendix

English (58)

User Guide (English)

Introduction

Box Contents

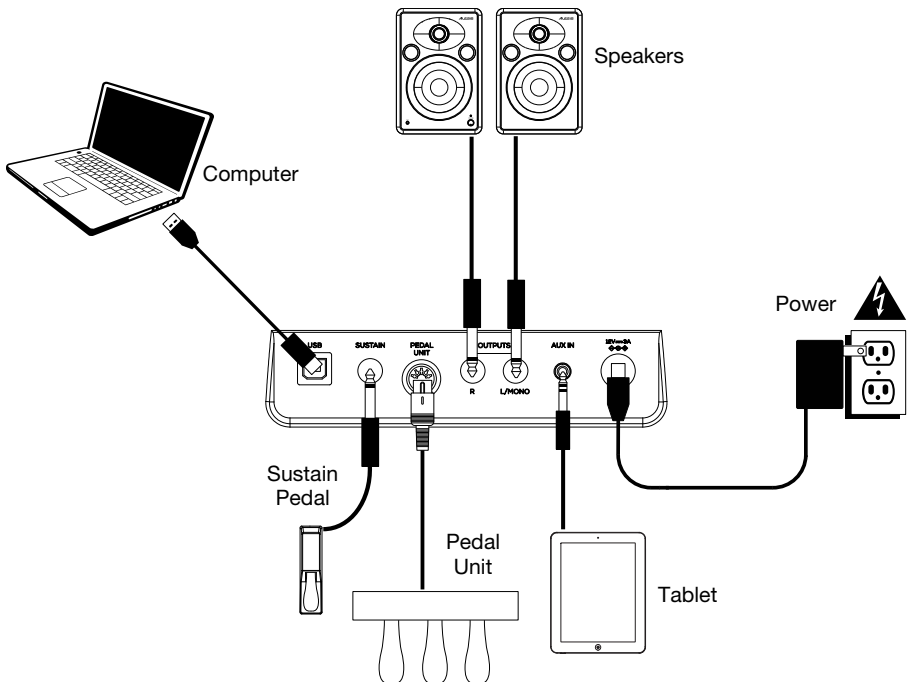
- | | |
|------------------------|--------------------------|
| Prestige Artist | Sustain Pedal |
| Power Adapter | User Guide |
| Music Rest | Safety & Warranty Manual |
| Software Download Card | |

Support

For the latest information about this product (system requirements, compatibility information, etc.) and product registration, visit alesis.com.
 For additional product support, visit alesis.com/support.

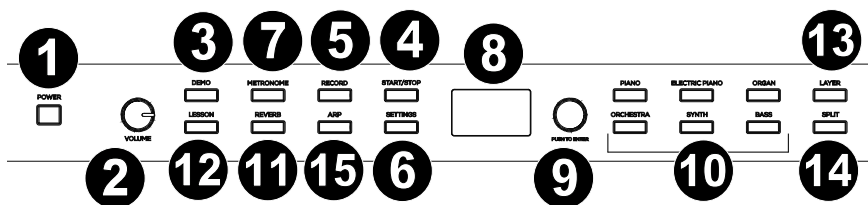
Connection Diagram

Items not listed in [Introduction > Box Contents](#) are sold separately.



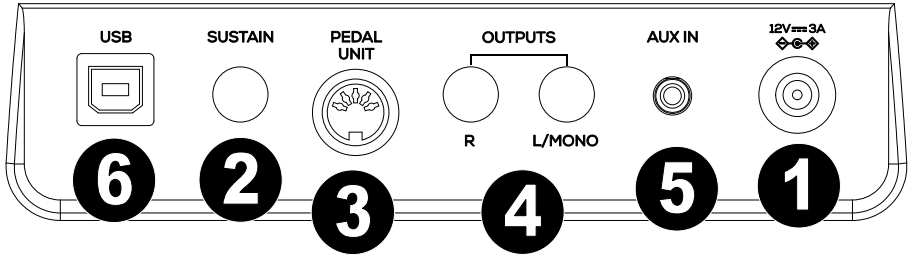
Features

Top Panel



1. **Power Switch:** Turns the piano's power on or off.
2. **Volume Knob:** Adjusts the volume for the **Line Output** and either **Headphone Output**.
Note: If the internal speakers do not produce any sound, check that the Volume knob is not set too low or if headphones are plugged into either **Headphone Output**. The speakers will be muted if there are headphones plugged into either **Headphone Output**.
3. **Demo Button:** Press this button to start or stop Demo playback.
4. **Start/Stop Button:** Press this button to start or stop playback of the user-recorded song.
5. **Record Button:** Press this button to enter Record Mode.
6. **Settings Button:** Press this button to enter a global menu to edit various settings.
7. **Metronome Button:** Press this button to turn the metronome on or off.
8. **Display:** Use this display to view Prestige Artist's menus, parameters, and settings.
9. **Value Encoder:** Use this dial to navigate menus and change parameter values in the **Display**.
10. **Voice Select Buttons:** Press one of these buttons to select a preset voice. See [Operation > Voices](#) to learn more.
11. **Reverb Button:** Press this button to enable/disable the Reverb feature.
12. **Lesson Button:** Press this button to enable/disable Lesson Mode.
13. **Layer Button:** Press this button to enable/disable Layer Mode.
14. **Split Button:** Press this button to enable/disable Split Mode.
15. **Arp:** Press this button to enable/disable the Arp feature.

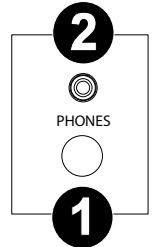
Rear Panel



- 1. Power Connector:** Connect the included power adapter here.
- 2. Sustain Pedal Input:** Connect a standard 1/4" (6.35 mm) sustain pedal here.
- 3. Pedal Unit Input:** Connect a pedal unit to this input.
- 4. Line Output:** Connect external audio equipment such as an amplifier, mixer, or recorder. Use the **R** and **L** outputs for stereo output or just the **L** output for mono output.
- 5. Aux Input:** Connect a mobile device or other audio source to this input. You can adjust the volume of this device on your mobile device or other audio source itself.
- 6. USB Port:** Allows for transfer of MIDI data to a computer.

Front Panel

- 1. 1/4" Headphone Output:** Connect stereo headphones with a 1/4" (6.35 mm) stereo (TRS) connector. When headphones are connected, the internal speakers will automatically turn off and sound will only be heard from the headphones.
- 2. 1/8" Headphone Output:** Connect stereo headphones with a 1/8" (3.5 mm) stereo (TRS) connector. When headphones are connected, the internal speakers will automatically turn off and sound will only be heard from the headphones.



Operation

Quick Start

Playing Demo Songs

The Prestige Artist digital piano features 10 demo songs:

- **Fantaisie-Impromptu in C# Minor Opus 66**
- **Etude Opus 25 No. 1**
- **Polonaise No. 6 in A Flat Major Opus 53**
- **Sonata No. 16 in C Major**
- **Toccata and Fugue in D Minor**
- **Prelude and Fugue No. 30 in D Minor**
- **Prelude and Fugue No. 1 in C Major**
- **Suite of Minuets in F Major**
- **Danse des Mirlitons**
- **Wedding March**

To play the demo songs:

1. Press and release the **Demo** button. If the song name is long, the name will scroll across the screen.
2. Select the Demo Song using the **Value Encoder**. The piano will play the demo songs in a continuous loop. While playing, the **Demo** button LED will flash.
3. To exit Demo Mode, press and release the **Demo** button again.

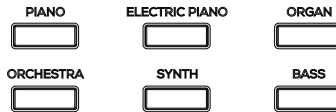
Playing Voice Demos

Each **Voice Select** button on the panel is preset with a voice demo. To play the voice demo, press and hold the **Demo** button and then press one of the **Voice Select** buttons.

Voices

The Prestige Artist digital piano features 6 voice categories with 5 voice variations each, for a total of 30 voices to choose from:

Voice Category	Piano	Electric Piano	Organ	Orchestra	Synth	Bass
Variation 1	Grand Piano 1	MK1 EP	Jazz Organ	String Ensemble	Big Synth	Upright Bass
Variation 2	Grand Piano 2	Suitcase EP	Rock Organ	Choir	Poly Synth	Electric Bass
Variation 3	Bright Piano	Wurlie EP	Overdrive Organ	Vibraphone	Acid Synth	Saw Bass
Variation 4	Upright Piano	FM Piano	Pipe Organ 1	Marimba	Synth Pad	Square Bass
Variation 5	Harpsichord	Clavi	Pipe Organ 2	Celeste	Synth Sweep	Synth Bass



To select and play a voice:

1. Press one of the **Voice Select** buttons to select a voice category. The corresponding LED will be lit for that voice category and the display screen will show the current voice name.
2. Press the same **Voice Select** button again or turn the **Value Encoder** to select one of the other voice variations in that category. The display screen will update and show which variation voice is currently selected.
3. Play the keys to hear the voice.

Layer Mode

Layer Mode enables for two different voices to be layered together for a fuller and richer sound.

To enable Layer Mode:

1. Press and release the **Layer** button. The corresponding LED will turn on to indicate layer mode is enabled. When Layer Mode is enabled, the layered voice is referred to as the R2 voice.
2. Turn the **Value Encoder** to select one of the following parameters and then push the **Value Encoder** to select the parameter's data for editing.
 - **R1:** Changes the selected upper voice.
 - **R2:** Changes the selected layer voice.
 - **L1 VOL:** Adjusts the volume of the selected layer voice between 1 (lowest) and 5 (loudest).
Note: L1 parameter should only appear if split mode is also enabled.
 - **R1 VOL:** Adjusts the volume of the selected main voice between 1 (lowest) and 5 (loudest).
 - **R2 VOL:** Adjusts the volume of the selected layer voice between 1 (lowest) and 5 (loudest).
3. When you're done editing a parameter's data, push the **Value Encoder** again to deselect the parameter data, and change the cursor focus back to choosing another parameter.
4. To disable layer mode, press and release the **Layer** button again. The corresponding LED will turn off to indicate layer mode is disabled.

Split Mode

Split Mode enables you to split the 88 keys into two zones so that you can have two different voices for each of your hands. For example, you may want the Piano voice for your right hand, and the Bass voice for your left hand. When Split Mode is enabled, the left-hand voice is referred to as the L1 voice.

To enable Split Mode:

1. Press and release the **Split** button. The corresponding LED will turn on to indicate split mode is enabled.
2. Press and hold the **Split** button while pressing a **Voice Select** button to select a split voice.
 - **L1:** Changes the selected split voice.
 - **SPLIT:** Selects where the split voice will end.
Note: You can turn the dial or press one of the 88 keys when this parameter is focused.
 - **L1 VOL:** Adjusts the volume of the selected split voice between 1 (lowest) and 5 (loudest).
 - **R1 VOL:** Adjusts the volume of the selected main voice between 1 (lowest) and 5 (loudest).
 - **R2 VOL:** Adjusts the volume of the selected main voice between 1 (lowest) and 5 (loudest).
Note: The R2 parameter will only appear if Layer Mode is also enabled.
3. When you're done editing a parameter's data, push the **Value Encoder** again to deselect the parameter data, and change the cursor focus back to choosing another parameter.
4. To disable split mode, press and release the **Split** button again. The corresponding LED will turn off to indicate split mode is disabled.

Important Split Mode notes:

- You can quickly select a split point by holding the Split button and pressing one of the 88 keys.
- When you are using Split Mode and Layer Mode at the same time, the right-hand zone of the split will play both of the layered voices, and the left-hand zone of the split will play the split voice only.
- Split Mode will be deactivated if you enter Lesson Mode.
- The same voice cannot be used in split and layer modes. In other words, the upper, lower, and split voice always needs to be different.

Advanced Features

Metronome

The metronome feature provides a steady beat to aid in practicing at a consistent tempo. To turn the metronome on or off, press the **Metronome** button. While the metronome is in use, the **Metronome** button LED will flash along with the current tempo. The tempo of the metronome can be freely adjusted from 30 to 280 beats per minute.

Note: The metronome cannot be used during Demo playback.

1. To enable the metronome, press and release the **Metronome** button.
2. Turn the **Value Encoder** to select one of the following parameters and then push the **Value Encoder** to select the parameter's data for editing.
 - **Tempo:** Adjusts the tempo for the metronome.
 - **Time Signature:** Selects which time signature to use for the metronome.
 - **Volume:** Adjust the volume for the metronome between 1 and 5. 1 is the lowest volume, and 5 is the loudest.
3. Push the **Value Encoder** to deselect the parameter data when you're done, and change the cursor focus back to choosing another parameter.
4. Press and release the **Start/Stop** button to start/stop the metronome.
5. To disable the metronome, press and release the **Metronome** button or press and release the **Start/Stop** button.

Arpeggiator

To enable the Arpeggiator:

1. Press and release the **Arpeggiator** button. The corresponding LED will turn on to indicate when the arpeggiator is enabled.
2. Turn the **Value Encoder** to select one of the following parameters and then push the **Value Encoder** to select the parameter's data for editing.
 - **Latch:** Enables or disables the latch functionality. If this is "ON" then the pattern will continue when the key is released. If this is "OFF", then the pattern will stop when the key is released.
 - **Tempo:** Enables you to set the tempo of the pattern.
 - **Type:** Determines how the arpeggiated notes will be played back.
 - **Up "UP":** Notes will sound from the lowest to the highest.
 - **Down "DOWN":** Notes will sound from the highest to lowest.
 - **Inclusive "INCL":** Notes will sound from the lowest to the highest, then back down. The lowest and highest notes will sound twice at the direction change.
 - **Exclusive "EXCL":** Notes will sound from the lowest to the highest, then back down. The lowest and highest notes will sound only once at the direction change.
 - **Order "ORDER":** Notes will sound in the order they were pressed.
 - **Random "RANDOM":** Notes will sound in random order.
 - **Time Division:** Selects the timing of each note used in the arpeggiator pattern. The user can select between **1/4, 1/4T, 1/8, 1/8T, 1/16, 1/16T, 1/32, 1/32T**.
 - **Octave:** Determines the arpeggiators octave range.
 - **"0":** No octaves
 - **"1":** 1 octave
 - **"2":** 2 octaves
 - **"3":** 3 octaves
 - **Gate:** Determines how much length the arpeggiators notes will have. The shorter the gate, the shorter the note. You can select this in integers from 5-100%.
 - **Part:** Selects whether the pattern should be played only when using the **LOWER** split, the **UPPER** Split, or the **FULL** keyboard.
3. When you're done editing a parameter's data, push the **Value Encoder** again to deselect the parameter data, and change the cursor focus back to choosing another parameter.
4. To disable the arpeggiator, press and release the **Arpeggiator** button again. The corresponding LED will turn off to indicate when the arpeggiator is disabled.

User Song Mode

To record and/or playback a user song:

1. Press the **Record** button to enter to the User Song Mode.
2. Press any of the **88 keys** to start recording a song.
3. Press the **Record** button again or the **Start/Stop** button to stop recording.
4. Press the **Start/Stop** button again to playback the recording.
5. Press the **Record** button again to erase the current recording. The Display will return to record standby.

Note: The recording will not be erased until the keys are played to begin recording again. If any button is pressed other than the keys, this will cancel the erasing of the song.

Important User Song Mode Notes:

- The recorded user song will stay in memory until it is erased.
- If the internal memory becomes full during recording, the recording will automatically stop and be saved. The Display will indicate “Memory Full”.

Reverb

You can also add an adjustable reverb effect to your sound.

1. Press and release the **Reverb** button. The corresponding LED will turn on to indicate when the reverb effect is enabled.
2. Turn the **Value Encoder** to select one of the following parameters and then push the **Value Encoder** to select the parameter’s data for editing.
 - **Type:** Changes the reverb type between the following settings: Hall 1, Hall 2, Room, Stage, Plate.
 - **Depth:** Changes the depth of the reverb from 0 (minimum) to 100 (maximum).
3. To disable the Reverb effect, press and release the **Reverb** button again. The corresponding LED will turn off to indicate when the reverb is disabled.

Lesson Mode

The Lesson Mode feature divides the keyboard into two zones with the same pitch and voice. This enables both the student and teacher to easily watch and/or play together during instruction without having to move away from the piano and take turns or having to reach over each other to play the same pitch.

To enable/disable Lesson Mode, press and release the **Lesson** button. The corresponding LED will turn on/off to indicate whether Lesson Mode is enabled/disabled.

Note: In Lesson Mode, the Layer and Split Modes will be automatically disabled.

Note: Lesson Mode cannot be selected during Demo playback.

Settings

To change other settings of the digital piano:

1. Press and release the **Settings** button. The Display will show the Settings page.
2. Use the **Value Encoder** to select one of the following parameters and then push the value encoder to select it for editing.
 - **Transpose:** Sets the transposition of the full keyboard (-12 to +12).
 - **Tune:** Sets the tuning of the full keyboard (-50 to +50).
 - **Touch Sensitivity:** Sets the touch sensitivity of the keyboard:
 - **Fixed:** The volume level does not change at all regardless of how soft or hard you play the 88 keys.
 - **Soft:** The volume level does not change much when press the 88 keys soft or hard.
 - **Medium:** This is the standard piano touch response, and the default setting.
 - **Hard:** The volume level changes a lot when press you the 88 keys soft or hard. You have to hit the keys hard to produce a loud sound.
 - **MIDI Channel:** Selects the MIDI channel for which USB-MIDI messages are sent (Omni, 1-16).
 - **Local MIDI:** When local MIDI is on (default), sound will be generated and heard through the speaker, and MIDI messages will be sent to the USB-MIDI output when keys are played. When local MIDI is off, sound will not be generated, however MIDI messages will still be sent to the USB-MIDI output when keys are played.
 - **Eco Mode:** When enabled, this turns the power off after 30 minutes option.
 - **Factory Reset:** Restores the keyboard to the factory default settings.
3. Once you're done editing a parameter, push the **Value Encoder** again to deselect the parameter, and change the focus back to choosing another parameter. To exit the **Settings** screen and return to the main screen, press the **Settings** button again.

Guía del usuario (Español)

Introducción

Contenido de la caja

Prestige Artist	Pedal de sostenido
Adaptador de alimentación	Guía del usuario
Atril	Manual sobre la seguridad y garantía
Tarjeta de descarga de software	

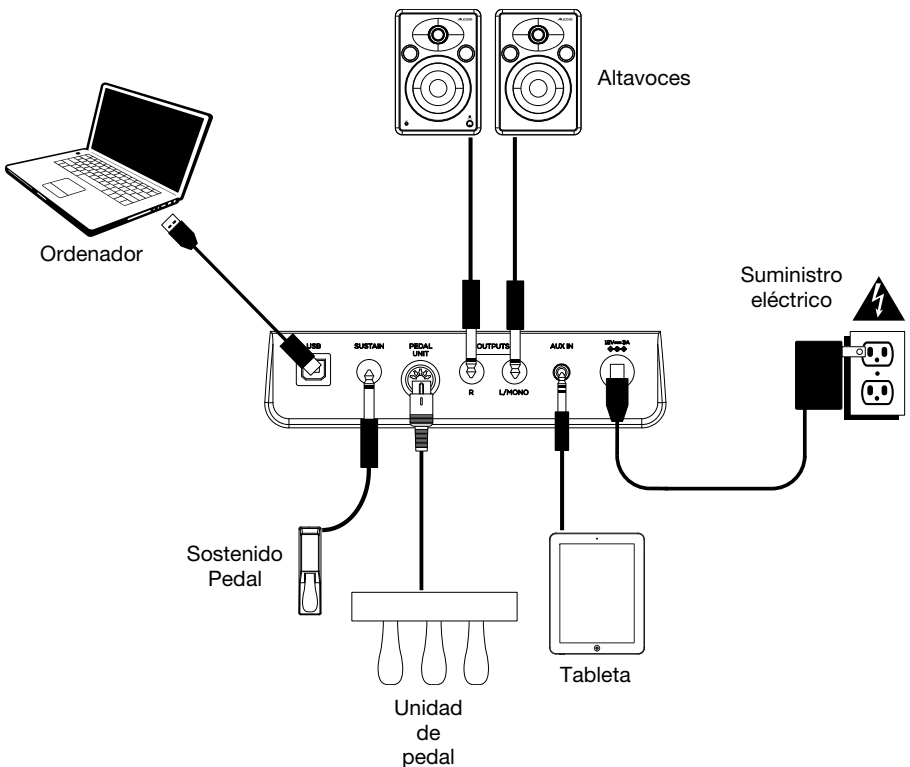
Soporte

Para obtener la información más completa acerca de este product (los requisitos del sistema, compatibilidad, etc) y registro del producto, visite alesis.com.

Para soporte adicional del producto, visite alesis.com/support.

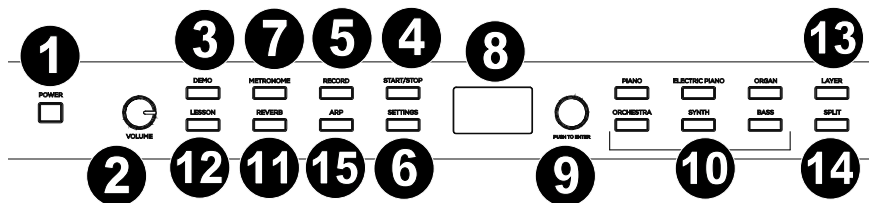
Diagrama de conexión

Los elementos que no se enumeran en [Introducción > Contenido de la caja](#) se venden por separado.



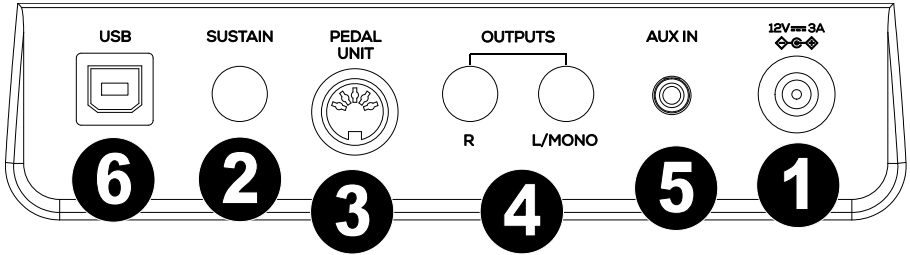
Características

Panel superior



1. **Interruptor de encendido:** Enciende y apaga el teclado.
2. **Perilla de volumen:** Ajusta el volumen de la salida de línea y ya sea **salida para auriculares**.
Nota: Si los altavoces internos no emiten ningún sonido, compruebe si la perilla volumen maestro no tiene un ajuste demasiado bajo o si los auriculares están conectados a ya sea **salida para auriculares**. Los altavoces se silenciarán si se conectan auriculares a ya sea **salida para auriculares**.
3. **Botón Demo (Demostración/Canción):** Pulse este botón para iniciar o detener la reproducción en modo Demo.
4. **Botón Start/Stop:** Pulse este botón para iniciar o detener la reproducción de la canción grabada por el usuario.
5. **Botón Record:** Pulse este botón para entrar al modo de grabación.
6. **Botón Settings:** Pulse este botón para entrar a un menú global que permite modificar diversos ajustes.
7. **Botón de metrónomo:** Pulse este botón para encender o apagar el metrónomo.
8. **Pantalla:** Utilice esta pantalla para ver los menús, parámetros y ajustes del Prestige Artist.
9. **Cuadrante Value (Valor):** Utilice este cuadrante para navegar por los menús y cambiar los valores de los parámetros en la **pantalla**:
10. **Botones Voice Select (Selección de voz):** Pulse uno de estos botones para seleccionar una voz predeterminada. Consulte [Funcionamiento > Voces](#) para más información.
11. **Botón Reverb:** Pulse este botón para activar/desactivar la característica de reverberación.
12. **Botón Lesson:** Pulse este botón para activar/desactivar el modo de lección.
13. **Botón Layer:** Pulse este botón para activar/desactivar el modo de capas.
14. **Botón Split:** Pulse este botón para activar/desactivar el modo de división.
15. **Arp:** Pulse este botón para activar/desactivar la característica de Arpegiador.

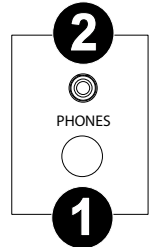
Panel trasero



1. **Conector de corriente:** Conecte aquí el adaptador de corriente incluido.
2. **Entrada para pedal de sostenido:** Conecte aquí un pedal TS estándar de 6,35 mm (1/4 pulg.).
3. **Entrada para unidad de pedal** Conecte un pedal a esta entrada.
4. **Salida de línea:** Conecte aquí un equipo de audio externo, como por ejemplo un amplificador, un mezclador o una grabadora. Use las salidas **R** y **L** para obtener una salida estéreo o la salida **L** solamente para obtener una salida monoaural.
5. **Entrada auxiliar:** Conecte un dispositivo móvil u otra fuente de audio a esta entrada. Puede ajustar este volumen desde el mismo dispositivo móvil o fuente de audio.
6. **Puerto USB:** Permite la transferencia de datos MIDI al ordenador.

Panel frontal

1. **Salida para auriculares:** Conecte auriculares estéreo con conector estéreo de 6,35 mm (1/4 pulg.). Cuando los auriculares se encuentran conectados, los altavoces internos se apagarán automáticamente y el sonido solo podrá escucharse desde los auriculares.
2. **Salida para auriculares:** Conecte auriculares estéreo con conector estéreo de 3,5 mm (1/8 pulg.). Cuando los auriculares se encuentran conectados, los altavoces internos se apagarán automáticamente y el sonido solo podrá escucharse desde los auriculares.



Funcionamiento

Inicio rápido

Cómo reproducir canciones demo

El piano digital Prestige Artist cuenta con 10 canciones demo:

- **Fantaisie-Impromptu in C# Minor Opus 66**
- **Etude Opus 25 No. 1**
- **Polonaise No. 6 in A Flat Major Opus 53**
- **Sonata No. 16 in C Major**
- **Toccatà and Fugue in D Minor**
- **Prelude and Fugue No. 30 in D Minor**
- **Prelude and Fugue No. 1 in C Major**
- **Suite of Minuets in F Major**
- **Danse des Mirlitons**
- **Wedding March**

Para reproducir canciones demo:

1. Pulse y suelte el botón **Demo**. Si el nombre de la canción es largo, se desplazará a través de la pantalla.
2. Seleccione la canción demo mediante el **cuadrante Value**. El piano reproducirá las canciones demo en un ciclo continuo. Durante la reproducción, el LED del botón **Demo** destella.
3. Para salir del modo Demo, pulse y suelte otra vez el botón **Demo**.

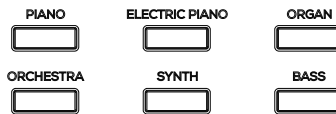
Cómo reproducir demos de voz

Cada botón **Voice Select** (Voz) del panel está preprogramado con un demo de voz. Para reproducir el demo de voz, mantenga pulsado el botón **Demo** y pulse uno de los botones **Voice Select**.

Voces

El piano digital Prestige Artist cuenta con 6 categorías de voces con 5 variaciones de voz cada una, lo que ofrece un total de 30 voces para elegir:

Categoría de voz	Piano	Electric Piano	Organ	Orchestra	Synth	Bass
Variación 1	Piano de cola 1	MK1 EP	Órgano de jazz	Conjunto de cuerdas	Sintetizador grande	Contrabajo
Variación 2	Piano de cola 2	Suitcase EP	Órgano de Rock	Coro	Polisintetizador	Bajo eléctrico
Variación 3	Piano brillante	Wurlli EP	Órgano distorsionado ("overdrive")	Vibráfono	Ácido Sintetizador	Bajo de onda triangular
Variación 4	Piano vertical	Piano FM	Órgano de iglesia 1	Marimba	Pad de sintetizador	Bajo de onda cuadrada
Variación 5	Clavecín	Clavicordio	Órgano de iglesia 2	Celesta	Barrido de sintetizador	Bajo sintetizado



Para seleccionar y reproducir una voz:

1. Pulse uno de los botones **Voice Select** para seleccionar una categoría de voz. El LED correspondiente se encenderá para esa categoría de voz y la pantalla mostrará el nombre de la voz actual.
2. Pulse el mismo botón **Voice Select** nuevamente o gire el **Value Encoder** para seleccionar una de las otras variaciones de voz en esa categoría. La pantalla actualizará y mostrará la variación de voz actualmente seleccionada.
3. Toque las teclas para escuchar la voz.

Modo de capas

El modo de capas permite tocar dos veces diferentes en capas para lograr un sonido más completo y rico.

Para habilitar el modo de capas:

1. Pulse y suelte el botón **Layer**. Se encenderá el LED correspondiente para indicar que el modo de capas está activado. Cuando el modo de capas se encuentra activado, la voz de la capa se denomina la voz R2.
2. Gire el **Value Encoder** para seleccionar uno de los siguientes parámetros y luego pulse el **Value Encoder** para seleccionar los datos del parámetro para su edición.
 - **R1**: Modifica la voz superior seleccionada.
 - **R2**: Modifica la voz de la capa seleccionada.
 - **L1 VOL**: Ajusta el volumen de la voz de la capa seleccionada entre 1 (más bajo) y 5 (más alto).
Nota: El parámetro L1 solo debería aparecer si también está activado el modo de división.
 - **R1 VOL**: Ajusta el volumen de la voz de la voz principal seleccionada entre 1 (más bajo) y 5 (más alto).
 - **R2 VOL**: Ajusta el volumen de la voz de la capa seleccionada entre 1 (más bajo) y 5 (más alto).
3. Una vez que haya terminado de editar los datos del parámetro, pulse **Value Encoder** nuevamente para deseleccionar los datos del parámetro y regresar el enfoque del cursor para la selección de otro parámetro.
4. Para desactivar el modo de capas, pulse y suelte el botón **Layer** nuevamente. Se apagará el LED correspondiente para indicar que el modo de capas está desactivado.

Modo de división

El modo de división le permite dividir las 88 teclas en dos zonas para que pueda tener dos voces diferentes para cada una de sus manos. Por ejemplo, puede tener la voz de piano para su mano derecha y la voz de bajo para su mano izquierda. Cuando el modo de división se encuentra activado, la voz asignada a la mano izquierda se denomina voz L1.

Para habilitar el modo de división:

1. Pulse y suelte el botón **Split**. Se encenderá el LED correspondiente para indicar que el modo de división está activado.
2. Mantenga pulsado el botón **Split** mientras pulsa un botón Voice **Select** para seleccionar una nueva voz de división.
 - **L1**: Modifica la voz de división seleccionada.
 - **SPLIT**: Selecciona en donde finalizará la voz de la división.

Nota: Puede girar la tecla giratoria o pulsar una de las 88 teclas cuando el foco está sobre este parámetro.
 - **L1 VOL**: Ajusta el volumen de la voz de la voz de división seleccionada entre 1 (más bajo) y 5 (más alto).
 - **R1 VOL**: Ajusta el volumen de la voz de la voz principal seleccionada entre 1 (más bajo) y 5 (más alto).
 - **R2 VOL**: Ajusta el volumen de la voz de la voz principal seleccionada entre 1 (más bajo) y 5 (más alto).

Nota: El parámetro R2 solo aparecerá si también está activado el modo de capa.
3. Una vez que haya terminado de editar los datos del parámetro, pulse **Value Encoder** nuevamente para deseleccionar los datos del parámetro y regresar el enfoque del cursor para la selección de otro parámetro.
4. Para desactivar el modo de capas, pulse y suelte el botón **Split** nuevamente. Se apagará el LED correspondiente para indicar que el modo de división está desactivado.

Para desactivar el modo de división, pulse nuevamente el botón **Split**. El LED del botón Split se apagará cuando se desactive el modo de división.

Notas importantes sobre el modo de división:

- Puede seleccionar rápidamente un punto de división manteniendo pulsado el botón Split y pulsando una de las 88 teclas.
- Cuando está utilizando el modo de división y el modo de capas al mismo tiempo, la zona de la mano derecha de la división tocará las voces de ambas capas y la zona de la mano izquierda de la división tocará la voz de división solamente.
- El modo de división quedará desactivado si se ingresa al modo de lección.
- No se puede utilizar la misma voz en los modos de división y de capa. En otras palabras, la voz superior, inferior y de división siempre deberá ser diferente.

Características avanzadas

Metrónomo

La característica de metrónomo brinda un pulso constante para ayudar a practicar a un tempo consistente. Para activar o desactivar el metrónomo, pulse el botón **Metronome**. Cuando el metrónomo esté en uso, el LED del botón **Metronome** parpadeará al ritmo del tempo actual. El tempo del metrónomo puede ajustarse libremente entre 30 y 280 beats por minuto.

Nota: Durante el modo de reproducción de demo no se puede utilizar el metrónomo.

1. Para activar el metrónomo, pulse y suelte el botón **Metronome**.
2. Gire el **Value Encoder** para seleccionar uno de los siguientes parámetros y luego pulse el **Value Encoder** para seleccionar los datos del parámetro para su edición.
 - **Tempo:** Ajusta el tempo del metrónomo.
 - **Time Signature:** Selecciona la firma de tiempo que se utilizará para el metrónomo.
 - **Volumen:** Ajusta el volumen del metrónomo entre 1 y 5. 1 es el volumen más bajo y 5 es el volumen más alto.
3. Cuando haya terminado, pulse **Value Encoder** para deseleccionar los datos del parámetro y regresar el enfoque del cursor para la selección de otro parámetro.
4. Pulse y suelte el botón **Start/Stop** para comenzar/detener el metrónomo.
5. Para desactivar el metrónomo, pulse y suelte el botón **Metronome** o el botón **Start/Stop**.

Arpegiador

Cómo activar el arpegiador:

1. Pulse y suelte el botón **Arpeggiator**. Se encenderá el LED correspondiente para indicar que el arpegiador está activado.
2. Gire el **Value Encoder** para seleccionar uno de los siguientes parámetros y luego pulse el **Value Encoder** para seleccionar los datos del parámetro para su edición.
 - **Latch:** Activa o desactiva la funcionalidad de sostenimiento del patrón. Si su valor es "ON" el patrón continuará después de soltar la tecla. Si su valor es "OFF" el patrón terminará al soltar la tecla.
 - **Tempo:** Permite modificar el tempo del patrón.
 - **Type:** Determina la forma en que se reproducen las notas del arpeggio.
 - **"UP":** Las notas suenan desde la más baja a la más alta.
 - **"DOWN":** Las notas suenan desde la más alta a la más baja.
 - **"INCL":** Las notas suenan desde la más baja a la más alta y luego vuelven a la más baja. La nota más alta y la nota más baja sonarán dos veces al cambiar de dirección.
 - **"EXCL":** Las notas suenan desde la más baja a la más alta y luego vuelven a la más baja. La nota más alta y la nota más baja sonarán solo una vez al cambiar de dirección.
 - **"ORDER":** Las notas sonarán en el orden en el que fueron pulsadas.
 - **"RANDOM":** Las notas sonarán en orden aleatorio.
 - **División de tiempo:** Selecciona la sincronización de las notas utilizada en el patrón del arpegiador. El usuario puede seleccionar entre **1/4, 1/4T, 1/8, 1/8T, 1/16, 1/16T, 1/32 y 1/32T**.
 - **Octave:** Determina el rango de octavas del arpegiador.
 - **0:** Ninguna octava
 - **1:** 1 octava
 - **2:** 2 octavas
 - **3:** 3 octavas
 - **Gate:** Determina la longitud que tendrán las notas del arpegiador. Cuanto mayor sea el valor de este parámetro, más cortas serán las notas. Este valor puede ser cualquier entero entre 5-100%.
 - **Part:** Selecciona si el patrón debe reproducirse solamente al utilizar la división inferior (**LOWER**), superior (**UPPER**) o el teclado completo (**FULL**).
3. Una vez que haya terminado de editar los datos del parámetro, pulse **Value Encoder** nuevamente para deseleccionar los datos del parámetro y regresar el enfoque del cursor para la selección de otro parámetro.

Para desactivar el arpegiador, pulse y suelte el botón **Arpeggiator** nuevamente. Se apagará el LED correspondiente para indicar que el arpegiador está desactivado.

Modo de canción del usuario

Como grabar y/o reproducir una canción del usuario:

1. Pulse el botón **Record** para ingresar al modo de canción del usuario.
2. Pulse cualquiera de las **88 teclas** para comenzar a grabar una canción.
3. Pulse el botón **Record** nuevamente o pulse el botón **Start/Stop** para detener la grabación.
4. Pulse el botón **Start/Stop** nuevamente para reproducir la grabación.
5. Pulse el botón **Record** nuevamente para comenzar la grabación. La pantalla volverá al estado de espera para grabación.

Nota: La grabación no se borrará hasta que se toquen las teclas para comenzar a grabar nuevamente. Si se pulsa cualquier otro botón que no sean las teclas, esto cancelará el borrado de la canción.

Notas importantes sobre el modo de canción del usuario:

- La canción del usuario grabada permanecerá en la memoria hasta que se elimine.
- Si la memoria interna se queda sin espacio libre durante una grabación, esta se detendrá y quedará guardada automáticamente. Aparecerá "Memory Full" en la pantalla.

Reverberación

También puede agregar un efecto de reverberación ajustable a su sonido.

1. Pulse y suelte el botón **Reverb**. Se encenderá el LED correspondiente para indicar que el efecto de reverberación está activado.
2. Gire el **Value Encoder** para seleccionar uno de los siguientes parámetros y luego pulse el **Value Encoder** para seleccionar los datos del parámetro para su edición.
 - **Type:** Cambia el tipo de reverberación entre las siguientes opciones: Hall 1, Hall 2, Room, Stage, Plate.
 - **Depth:** Modifica la profundidad de la reverberación desde 0 (mínimo) hasta 100 (máximo).
3. Para desactivar el efecto de reverberación, pulse y suelte el botón **Reverb** nuevamente. Se apagará el LED correspondiente para indicar que la reverberación está desactivada.

Modo de lección

La característica modo de lección divide las 88 teclas en dos zonas del mismo tono y voz. Esto le permite tanto el estudiante como al profesor observar y/o tocar juntos fácilmente durante las lecciones sin tener que alejarse del piano, turnarse o estirarse sobre el otro para tocar el mismo tono.

Para activar/desactivar el modo de lección, pulse y suelte **LESSON**. Se encenderá/apagará el LED correspondiente para indicar que el modo de lección está activado/desactivado.

Nota: En el modo de lección, los modos de capas y división se desactivarán automáticamente.

Nota: Durante el modo de reproducción de demo no se puede seleccionar el modo Lesson (Lección).

Ajustes

Cómo modificar los demás ajustes del piano digital:

1. Pulse y suelte el botón **Settings**. Aparecerá la página "Settings" (ajustes) en la pantalla.
2. Utilice el **Value Encoder** para seleccionar uno de los siguientes parámetros y luego pulse el Value Encoder a fin de seleccionarlo para su edición.
 - **Transpose:** Ajusta la transposición de la placa del teclado completa (-12 a +12).
 - **Tune:** Ajusta el tono de la placa del teclado completa (-50 a +50).
 - **Touch Sensitivity:** Ajusta la sensibilidad táctil de la placa del teclado:
 - **Fixed:** El nivel de volumen no cambia en absoluto independientemente de la fuerza con la que toque las 88 teclas.
 - **Soft:** El nivel de volumen no cambia demasiado en función de la fuerza con la que toque las 88 teclas.
 - **Medium:** Esta es la respuesta táctil estándar del piano y el ajuste por defecto.
 - **Hard:** El nivel de volumen cambia significativamente en función de la fuerza con la que toque las 88 teclas. Deberá tocar las teclas con fuerza para producir un sonido de volumen alto.
 - **MIDI Channel:** Seleccione el canal MIDI para el cual se envían los mensajes USB-MIDI (Omni, 1-16).
 - **Local MIDI:** Cuando el MIDI local está activado (por defecto) el sonido se generará y escuchará a través del altavoz y los mensajes MIDI se enviarán a través de la salida USB-MIDI cuando se toquen las teclas. Cuando el MIDI local está desactivado el sonido no se generará, sin embargo, los mensajes MIDI seguirán enviándose a través de la salida USB-MIDI cuando se toquen las teclas.
 - **Eco Mode:** Cuando se activa, este modo activa la opción de apagado tras 30 minutos de inactividad
 - **Factory Reset:** Restaura los ajustes predeterminados de fábrica del teclado.
3. Una vez que haya terminado de editar los datos del parámetro, pulse **Value Encoder** nuevamente para deseleccionar el parámetro y regresar el enfoque para la selección de otro parámetro. Para salir de la pantalla **Settings** y volver a la pantalla principal, pulse el botón **Settings** nuevamente.

Guide d'utilisation (Français)

Présentation

Contenu de la boîte

Prestige Artist	Pédale de sustain
Adaptateur d'alimentation	Guide d'utilisation
Pupitre	Consignes de sécurité et informations concernant la garantie
Carte de téléchargement du logiciel	

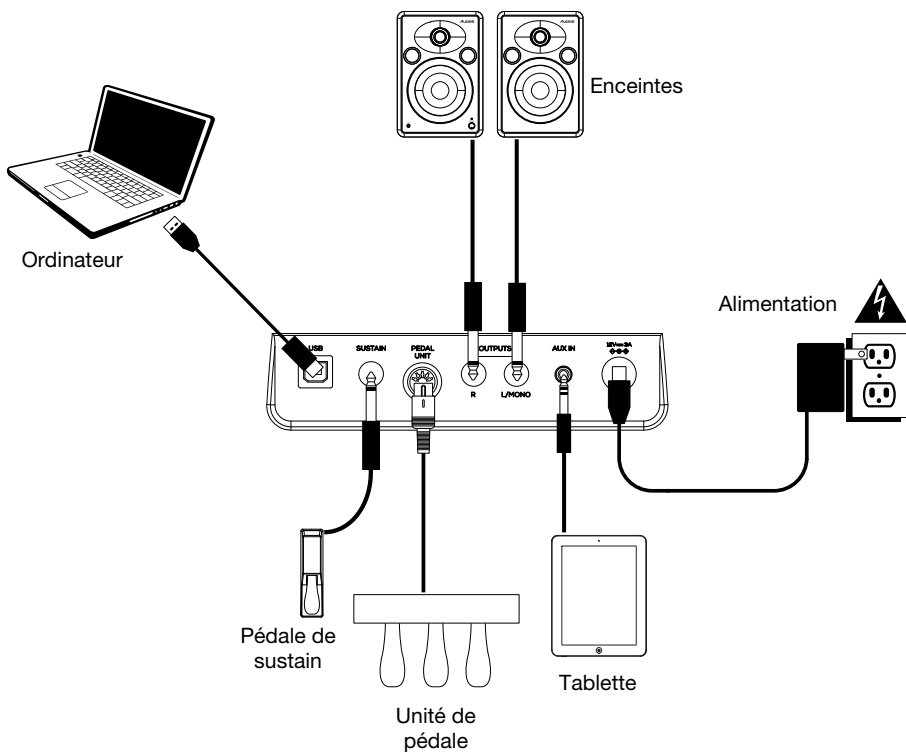
Assistance

Pour les dernières informations concernant ce produit (la configuration système minimale requise, la compatibilité, etc) et l'enregistrement du produit, veuillez visiter le site alesis.com.

Pour de plus amples informations, visitez alesis.com/support.

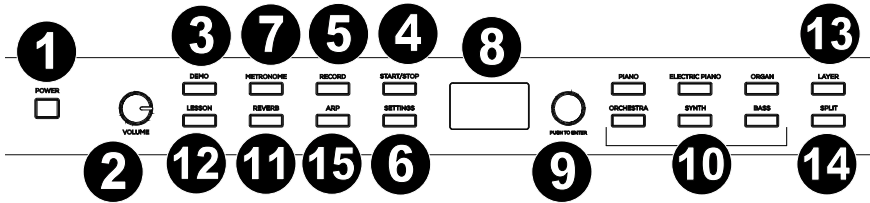
Schéma de connexion

Les éléments qui ne figurent pas dans [Présentation > Contenu de la boîte](#) sont vendus séparément.



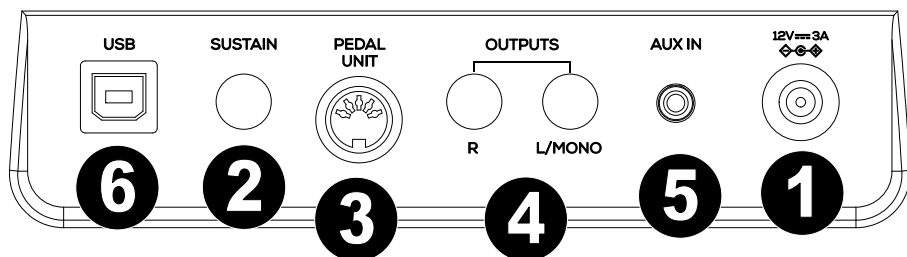
Caractéristiques

Panneau supérieur



1. **Interrupteur d'alimentation** : Cette touche met le piano sous et hors tension.
2. **Bouton du volume** : Ce bouton permet d'ajuster le niveau du volume de la **sortie ligne** et de la **sortie casque**.
Remarque : Si les haut-parleurs internes ne produisent aucun son, vérifiez que le bouton Volume n'est pas réglé trop bas ou si un casque d'écoute est branché sur soit **sortie casque**. Les haut-parleurs sont mis en sourdine lorsqu'un casque d'écoute est branché à soit **sortie casque**.
3. **Touche Demo** : Cette touche permet d'accéder au mode Demo.
4. **Touche Start/Stop** : Cette touche permet de lancer ou d'arrêter la lecture de la chanson utilisateur.
5. **Touche Record** : Cette touche permet de passer en mode Record.
6. **Touche Settings** : Cette touche permet d'accéder au menu principal afin de modifier divers paramètres.
7. **Touche Metronome** : Cette touche permet d'activer et de désactiver le métronome.
8. **Écran d'affichage** : Cet écran permet d'afficher les menus, les paramètres et les réglages du Prestige Artist.
9. **Molette Value** : Cette molette permet de parcourir les menus et de modifier les valeurs des paramètres à l'écran.
10. **Touches Voice Select** : Ces touches permettent de sélectionner une voix pré-réglée. Veuillez consulter la section **Fonctionnement > Voix** afin d'en savoir plus.
11. **Touche Reverb** : Cette touche permet d'activer ou de désactiver la fonction Reverb.
12. **Touche Lesson** : Cette touche permet d'activer et de désactiver le mode Lesson.
13. **Touche Layer** : Cette touche permet d'activer et de désactiver le mode Layer.
14. **Touche Split** : Cette touche permet d'activer et de désactiver le mode Split.
15. **Touche Arp** : Cette touche permet d'activer ou de désactiver la fonction Arpeggiator.

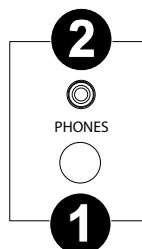
Panneau arrière



1. **Entrée d'alimentation** : Cette entrée permet de brancher l'adaptateur secteur fourni.
2. **Entrée pédale de sustain** : Cette entrée permet de brancher une pédale standard 6,35 mm.
3. **Entrée pour pédale** : Cette entrée permet de brancher une pédale.
4. **Sorties ligne** : Ces sorties permettent de brancher un appareil audio externe comme un amplificateur, une console de mixage ou un enregistreur. Utilisez les **sorties R et L** pour une sortie stéréo ou uniquement la **sortie L** pour une sortie mono.
5. **Entrée auxiliaire** : Cette entrée permet de brancher un appareil mobile ou une autre source audio. Vous pouvez régler le volume de l'entrée à partir de l'appareil mobile ou de la source audio.
6. **Port USB** : Ce port permet la transmission de données MIDI vers un ordinateur.

Panneau avant

1. **Sortie casque** : Cette sortie permet de brancher un casque d'écoute stéréo avec une fiche de 6,35 mm. Lorsqu'un casque d'écoute est branché, les haut-parleurs internes sont désactivés et le son est seulement entendu via le casque.
2. **Sortie casque** : Cette sortie permet de brancher un casque d'écoute stéréo avec une fiche de 3,5 mm. Lorsqu'un casque d'écoute est branché, les haut-parleurs internes sont désactivés et le son est seulement entendu via le casque.



Fonctionnement

Démarrage rapide

Chansons de démonstration

Le piano numérique Prestige Artist dispose de 10 chansons de démonstration.

- **Fantaisie-Impromptu in C# Minor Opus 66**
- **Etude Opus 25 No. 1**
- **Polonaise No. 6 in A Flat Major Opus 53**
- **Sonata No. 16 in C Major**
- **Toccata and Fugue in D Minor**
- **Prelude and Fugue No. 30 in D Minor**
- **Prelude and Fugue No. 1 in C Major**
- **Suite of Minuets in F Major**
- **Danse des Mirlitons**
- **Wedding March**

Pour faire jouer une des chansons de démonstration :

1. Appuyez puis relâchez la touche **Demo**. Si le nom de la chanson est long, le nom défilera sur l'écran.
2. Sélectionnez la chanson de démonstration en utilisant la molette Value. Le piano fera la lecture des chansons de démonstration en boucle continue. Lors de la lecture, la DEL de la touche **Demo** clignotera.
3. Pour quitter le mode Demo, appuyez et relâchez de nouveau la touche **Demo**.

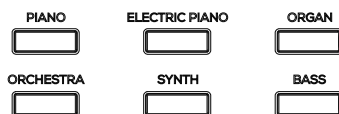
Voix de démonstration

Chaque touche **Voice Select** sur le panneau est pré-réglée avec une voix de démonstration. Pour faire jouer une des voix de démonstration, maintenez la touche **Demo** enfoncée puis appuyez sur une des touches **Voice Select**.

Voix

Le piano numérique Prestige Artist dispose de 6 catégories de voix avec 5 variations de voix chacune pour un total de 30 voix :

Catégorie de voix	Piano	Electric Piano	Organ	Orchestra	Synth	Bass
Variation 1	Grand Piano 1	MK1 EP	Jazz Organ	String Ensemble	Big Synth	Upright Bass
Variation 2	Grand Piano 2	Suitcase EP	Rock Organ	Choir	Poly Synth	Electric Bass
Variation 3	Bright Piano	Wurlie EP	Overdrive Organ	Vibraphone	Acid Synth	Saw Bass
Variation 4	Upright Piano	FM Piano	Pipe Organ 1	Marimba	Synth Pad	Square Bass
Variation 5	Harpsichord	Clavi	Pipe Organ 2	Celeste	Synth Sweep	Synth Bass



Pour sélectionner et faire jouer une voix :

1. Appuyez sur l'une des touches **Prestige Artist** pour sélectionner une catégorie de voix. La DEL correspondante s'allumera afin d'indiquer la catégorie de voix sélectionnée, puis le nom de la voix s'affiche.
2. Appuyez de nouveau sur la même touche **Voice Select** ou tournez le bouton **Value Encoder** afin de sélectionner une des autres variations de voix dans cette catégorie. L'écran s'actualisera et affichera la variation de voix sélectionnée.
3. Jouez les touches du clavier pour entendre la voix.

Mode de superposition de voix

Le mode Layer permet de superposer deux voix différentes afin d'obtenir un son plus riche.

Pour activer le mode Layer :

1. Appuyez puis relâchez la touche **Layer**. La DEL correspondante s'allumera afin d'indiquer que le mode Layer est activé. Lorsque le mode Layer est activé, la voix superposée devient la voix R2.
2. Tournez le bouton **Value Encoder** pour sélectionner l'un des paramètres suivants, puis appuyez sur le bouton **Value Encoder** pour sélectionner les données du paramètre à modifier.
 - **R1**: Ce paramètre permet de modifier la voix supérieure sélectionnée.
 - **R2**: Ce paramètre permet de modifier la voix superposée sélectionnée.
 - **L1 VOL** : Ce paramètre permet de régler le volume de la voix de superposée sélectionnée entre 1 (le plus bas) et 5 (le plus fort).

Remarque : Le paramètre L1 ne s'affiche que lorsque le mode Split est également activé.

 - **R1 VOL** : Ce paramètre permet de régler le volume de la voix principale sélectionnée entre 1 (le plus bas) et 5 (le plus fort).
 - **R2 VOL** : Ce paramètre permet de régler le volume de la voix superposée sélectionnée entre 1 (le plus bas) et 5 (le plus fort).
3. Lorsque vous avez terminé de modifier les données d'un paramètre, appuyez de nouveau sur le bouton **Value Encoder** pour désélectionner le paramètre afin de pouvoir déplacer le curseur et sélectionner un autre paramètre.
4. Pour désactiver le mode Layer, appuyez et relâchez de nouveau la touche **Layer**. La DEL correspondante s'éteindra afin d'indiquer que le mode Layer est désactivé.

Mode de séparation du clavier

Le mode Split permet de diviser le clavier de 88 touches en deux zones afin que vous puissiez utiliser deux voix différentes pour chacune de vos mains. Par exemple, vous pourriez utiliser la voix Piano avec la main droite et la voix Bass avec la main gauche. Lorsque le mode Split est activé, la voix de la main gauche est appelée la voix de séparation (Split voice). Lorsque le mode Split est activé, la voix de la main gauche devient la voix L1.

Pour activer le mode Split :

1. Appuyez puis relâchez la touche **Split**. La DEL correspondante s'allumera afin d'indiquer que le mode Split est activé.
2. Maintenez la touche **Split** enfoncée en appuyant sur une des touches **Voice Select** afin de sélectionner une voix de séparation.
 - **L1** : Ce paramètre permet de modifier la voix de séparation sélectionnée.
 - **SPLIT** : Ce paramètre permet de définir où la voix de séparation prend fin.

Remarque : Vous pouvez tourner le bouton **Value Encoder** ou appuyer sur l'une des 88 touches lorsque ce paramètre est sélectionné.
 - **L1 VOL** : Ce paramètre permet de régler le volume de la voix de séparation sélectionnée entre 1 (le plus bas) et 5 (le plus fort).
 - **R1 VOL** : Ce paramètre permet de régler le volume de la voix principale sélectionnée entre 1 (le plus bas) et 5 (le plus fort).
 - **R2 VOL** : Ce paramètre permet de régler le volume de la voix principale sélectionnée entre 1 (le plus bas) et 5 (le plus fort).

Remarque : Le paramètre R2 ne s'affiche que lorsque le mode Layer est également activé.
3. Lorsque vous avez terminé de modifier les données d'un paramètre, appuyez de nouveau sur le bouton **Value Encoder** pour désélectionner le paramètre afin de pouvoir déplacer le curseur et sélectionner un autre paramètre.
4. Pour désactiver le mode Split, appuyez et relâchez de nouveau la touche **Split**. La DEL correspondante s'éteindra afin d'indiquer que le mode Split est désactivé.

Pour désactiver le mode Split, appuyez de nouveau sur la touche **Split**. La DEL de la touche **Split** s'éteint lorsque le mode Split est désactivé.

Remarques importantes concernant le mode Split :

- Vous pouvez sélectionner rapidement un point de séparation en maintenant la touche Split et en appuyant sur l'une des 88 touches.
- Lorsque vous utilisez les modes Split et Layer en même temps, la main droite joue les deux voix superposées et la main gauche joue la voix de séparation.
- Le mode Split sera désactivé si vous entrez en mode Lesson.
- La même voix ne peut être utilisée en modes Split et Layer. Autrement dit, les voix supérieure, inférieure et de séparation doivent toujours être différentes.

Fonctionnalités avancées

Métronome

La fonction de métronome fournit un battement régulier afin de vous permet de maintenir le tempo. Pour activer ou désactiver le métronome, cliquez sur la touche **Metronome**. Lorsque le métronome est activé, la DEL de la touche **Metronome** clignote au rythme du tempo sélectionné. Le tempo du métronome peut être réglé de 30 à 280 battements par minute.

Remarque : Le métronome ne peut être utilisé en mode Demo.

1. Pour activer le métronome, appuyez et relâchez la touche **Metronome**.
2. Tournez le bouton **Value Encoder** pour sélectionner l'un des paramètres suivants, puis appuyez sur le bouton **Value Encoder** pour sélectionner les données du paramètre à modifier.
 - **Tempo** : Ce paramètre permet de modifier le tempo du métronome.
 - **Time-Signature** : Ce paramètre permet de sélectionner la division temporelle du métronome.
 - **Volume** : Ce paramètre permet de modifier le volume du métronome entre 1 et 5, 1 étant le plus bas et 5 le plus fort.
3. Lorsque vous avez terminé, appuyez de nouveau sur le bouton **Value Encoder** pour désélectionner le paramètre afin de pouvoir déplacer le curseur et sélectionner un autre paramètre.
4. Appuyez puis relâchez la touche **Start/Stop** pour activer et désactiver le métronome.
5. Pour désactiver le métronome, appuyez et relâchez la touche **Metronome** ou appuyez et relâchez la touche **Start/Stop**.

Arpégiateur

Pour activer l'arpégiateur :

1. Appuyez et relâchez la touche **Arpeggiator**. La DEL correspondante s'allumera afin d'indiquer que l'arpégiateur est activé.
2. Tournez le bouton **Value Encoder** pour sélectionner l'un des paramètres suivants, puis appuyez sur le bouton **Value Encoder** pour sélectionner les données du paramètre à modifier.
 - **Latch** : Ce paramètre permet d'activer ou de désactiver la fonction de verrouillage. Lorsque ce paramètre est réglé sur « ON », le motif continue lorsque la touche est relâchée. Lorsque ce paramètre est réglé sur « OFF », le motif s'arrête lorsque la touche est relâchée.
 - **Tempo** : Ce paramètre permet de définir le tempo du motif.
 - **Type** : Ce paramètre permet de définir la manière dont les notes arpégées sont reproduites.
 - **UP** : Les notes jouent de la plus basse à la plus haute.
 - **DOWN** : Les notes jouent de la plus haute à la plus basse.
 - **INCL** : Les notes jouent de la plus basse à la plus haute, puis redescendent. Les notes les plus basses et les plus hautes jouent deux fois lors du changement de direction.
 - **EXCL** : Les notes jouent de la plus basse à la plus haute, puis redescendent. Les notes les plus basses et les plus hautes jouent qu'une fois lors du changement de direction.
 - **ORDER** : Les notes jouent dans l'ordre qu'elles ont été jouées.
 - **RANDOM** : Les notes jouent de façon aléatoire.
 - **Time Division** : Ce paramètre permet de sélectionner la durée de chaque note utilisée dans le motif de l'arpégiateur. Les options disponibles sont : noire (**1/4**), triolet de noires (**1/4T**), croche (**1/8**), triolet de croches (**1/8T**), double croche (**1/16**), triolet de doubles croches (**1/16T**), triple croche (**1/32**), ou triolet de triples croches (**1/32T**)
 - **Octave** : Ce paramètre permet de définir la plage d'octave de l'arpégiateur.
 - **0** : sans transposition
 - **1** : 1 octave
 - **2** : 2 octaves
 - **3** : 3 octaves
 - **Gate** : Ce paramètre permet de définir la durée des notes de l'arpégiateur. Plus la porte est courte, plus la note est courte. Vous pouvez sélectionner des nombres entiers de 5 à 100 %.
 - **Part** : Ce paramètre permet de déterminer si le motif doit être joué uniquement lors de l'utilisation de la zone de séparation inférieure, supérieure ou de tout le clavier.
3. Lorsque vous avez terminé de modifier les données d'un paramètre, appuyez de nouveau sur le bouton **Value Encoder** pour désélectionner le paramètre afin de pouvoir déplacer le curseur et sélectionner un autre paramètre.

Pour désactiver l'arpégiateur, appuyez et relâchez de nouveau la touche **Arpeggiator**. La DEL correspondante s'éteindra afin d'indiquer que l'arpégiateur est désactivé.

Mode chanson utilisateur

Pour enregistrer ou lancer la lecture d'une chanson utilisateur :

1. Appuyez sur la touche **Record** pour passer en mode User Song.
2. Appuyez sur l'une des **88 touches** pour lancer l'enregistrement d'une chanson.
3. Appuyez de nouveau sur la touche **Record** ou sur la touche **Start/Stop** pour arrêter l'enregistrement.
4. Appuyez de nouveau sur la touche **Start/Stop** pour écouter l'enregistrement.
5. Appuyez de nouveau sur la touche **Record** pour effacer l'enregistrement sélectionné. L'écran revient en attente d'enregistrement.

Remarque : L'enregistrement ne sera pas effacé tant que les touches ne seront pas jouées pour recommencer l'enregistrement. Si vous appuyez sur une touche autre que les touches du clavier, l'effacement de la chanson sera annulé.

Remarques importantes concernant le mode chanson utilisateur :

- La chanson utilisateur enregistrée restera en mémoire jusqu'à ce qu'elle soit effacée.
- Si la mémoire interne devient pleine durant l'enregistrement, l'enregistrement s'arrêtera automatiquement et sera sauvegardé. L'écran affichera « Memory Full ».

Réverbération

Vous pouvez également ajouter un effet de réverbération qui peut être réglé à votre son.

1. Appuyez puis relâchez la touche **Reverb**. La DEL correspondante s'allumera afin d'indiquer que l'effet de réverbération est activé.
2. Tournez le bouton **Value Encoder** pour sélectionner l'un des paramètres suivants, puis appuyez sur le bouton **Value Encoder** pour sélectionner les données du paramètre à modifier.
 - **Type** : Ce paramètre permet de modifier le type de réverbération entre les réglages suivants : Hall 1, Hall 2, Room, Stage et Plate.
 - **Depth** : Ce paramètre permet de modifier la profondeur de la réverbération de 0 (minimum) à 100 (maximum).
3. Pour désactiver l'effet de réverbération, appuyez et relâchez de nouveau la touche **Reverb**. La DEL correspondante s'éteindra afin d'indiquer que l'effet de réverbération est désactivé.

Mode d'apprentissage

La fonction Lesson Mode divise le clavier en deux zones avec la même hauteur et la même voix. Cela permet à l'élève et à l'enseignant de facilement regarder et / ou jouer ensemble pendant l'instruction sans avoir à s'éloigner du piano et à se relayer ou à se tendre la main pour jouer la même hauteur.

Pour activer ou désactiver le Mode Lesson, appuyez sur la touche **Lesson**. La DEL correspondante s'allume lorsque le mode Split est activé et s'éteint lorsqu'il est désactivé.

Remarque : En mode Lesson, les modes Layer et Split sont automatiquement désactivés.

Remarque : Le mode Lesson ne peut être utilisé en mode Demo.

Paramètres

Pour modifier d'autres paramètres du piano numérique :

1. Appuyez puis relâchez la touche **Settings**. La fenêtre des paramètres s'affichera.
2. Utilisez le bouton **Value Encoder** pour sélectionner l'un des paramètres suivants, puis appuyez sur le bouton **Value Encoder** pour le modifier.
 - **Transpose** : Ce paramètre permet de définir la transposition pour tout le clavier (-12 à +12).
 - **Tune** : Ce paramètre permet de définir la hauteur tonale pour tout le clavier (-50 à +50).
 - **Touch Sensitivity** : Ce paramètre permet de définir la sensibilité du clavier :
 - **Fixed** : Cette option fait en sorte que le niveau du volume ne change pas, peu importe la force avec laquelle vous jouez sur les 88 touches.
 - **Soft** : Cette option fait en sorte que le niveau du volume change que très peu en fonction de la force avec laquelle vous jouez sur les 88 touches.
 - **Moyen** : Cette option est la réponse tactile standard d'un piano, et le réglage par défaut.
 - **Hard** : Cette option fait en sorte que le niveau du volume change beaucoup en fonction de la force avec laquelle vous jouez sur les 88 touches. Vous devez appuyer fort sur les touches pour produire un son fort.
 - **MIDI Channel** : Ce paramètre permet de sélectionner le canal MIDI par lequel les messages USB-MIDI sont envoyés (Omni, 1-16).
 - **Local MIDI** : Lorsque local MIDI est activé (par défaut), le son est généré et entendu par le haut-parleur, et les messages MIDI sont envoyés à la sortie USB-MIDI lorsque les touches sont jouées. Lorsque local MIDI est désactivé, aucun son ne sera généré, cependant les messages MIDI seront toujours envoyés à la sortie USB-MIDI lorsque les touches sont jouées.
 - **Eco Mode** : Lorsque ce mode est activé, l'appareil se met hors tension après 30 minutes d'inactivité.
 - **Factory Reset** : Ce paramètre permet de réinitialiser tous les réglages par défaut.
3. Lorsque vous avez terminé de modifier les données d'un paramètre, appuyez de nouveau sur le bouton **Value Encoder** pour désélectionner le paramètre afin de pouvoir déplacer le curseur et sélectionner un autre paramètre. Pour quitter la fenêtre des paramètres et revenir au menu principal, appuyez de nouveau sur la touche **Settings**.

Guida per l'uso (Italiano)

Introduzione

Contenuti della confezione

Prestige Artist	Pedale sustain
Adattatore di alimentazione	Guida per l'uso
Leggio	Istruzioni di sicurezza e garanzia
Scheda di download del software	

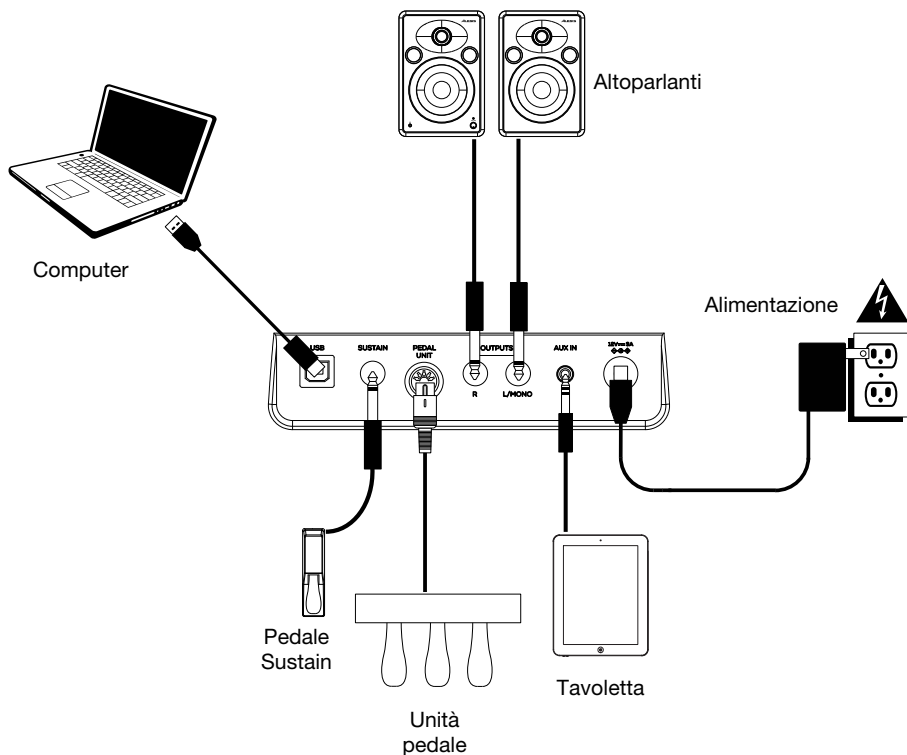
Assistenza

Per conoscere le ultime informazioni in merito a questo prodotto (i requisiti di sistema complete, compatibilità, ecc) e per la registrazione del prodotto, recarsi alla pagina alesis.com.

Per ulteriore assistenza, recarsi alla pagina alesis.com/support.

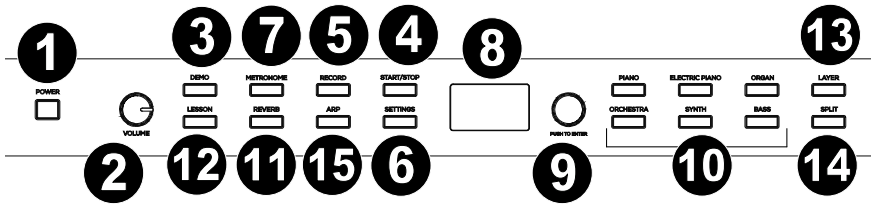
Schema dei collegamenti

Elementi non elencati sotto *Introduzione > Contenuti della confezione* sono venduti separatamente.



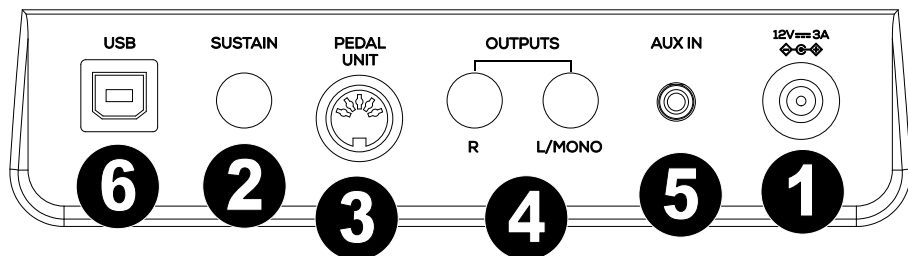
Caratteristiche

Pannello superiore



1. **Interruttore di alimentazione:** accende e spegne il pianoforte.
2. **Manopola volume:** regola il volume per l'uscita di linea e per o l'**uscita cuffie**.
Nota bene: se gli altoparlanti interni non producono alcun suono, assicurarsi che la manopola Volume non sia troppo bassa e che le cuffie non siano inserite nell'apposita o **uscita cuffie**. Se le cuffie sono inserite o nell'**uscita cuffie**, gli altoparlanti saranno silenziati.
3. **Tasto Demo:** premere questo tasto per avviare o interrompere la riproduzione dimostrativa (Demo).
4. **Tasto Start/Stop:** premere questo tasto per avviare o interrompere la riproduzione di una canzone registrata dall'utente.
5. **Tasto di registrazione (Record):** premere questo tasto per entrare in modalità di registrazione Record.
6. **Tasto Settings:** premere questo tasto per entrare in un menu globale dove modificare varie impostazioni.
7. **Tasto Metronome:** premere questo tasto per accendere e spegnere il metronomo.
8. **Display:** servirsi di questo display per visualizzare i menù, i parametri e le configurazioni del Prestige Artist.
9. **Manopola Value:** servirsi di questa manopola per navigare tra i menu e modificare i valori dei parametri a **Display**.
10. **Tasti Voice Select (scelta voce):** premere uno di questi tasti per selezionare una voce predefinita. Si veda [Operazione > Voci](#) per saperne di più.
11. **Tasto Reverb:** premere questo tasto per attivare/disattivare la funzione Reverb.
12. **Tasto Lesson:** premere questo tasto per abilitare o disabilitare la modalità Lesson.
13. **Tasto Layer:** premere questo tasto per abilitare o disabilitare la modalità Layer.
14. **Tasto Split:** premere questo tasto per abilitare o disabilitare la modalità Split.
15. **Arp:** premere questo tasto per attivare/disattivare la funzione Arp.

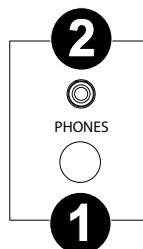
Pannello posteriore



1. **Connettore di alimentazione:** collegare a questo livello l'adattatore di alimentazione in dotazione.
2. **Ingresso pedale sustain:** collegare un pedale sustain standard da 6,35 mm (1/4") a questo livello.
3. **Ingresso unità pedale:** collegare un pedale a questo ingresso.
4. **Uscita di linea:** collegare dispositivi audio esterni quali amplificatori, mixer o registratori a questo livello. Servirsi delle uscite **R** ed **L** per un'uscita stereo o la sola uscita **L** per un'uscita mono.
5. **Ingresso Aux:** collegare un dispositivo mobile o altre fonti audio a questo ingresso. È possibile regolare il volume di questo dispositivo sul proprio dispositivo mobile o altre fonti audio.
6. **Porta USB:** consente il trasferimento dei dati MIDI a un computer.

Pannello frontale

1. **Uscita cuffie:** collegare cuffie stereo con connettore stereo da 6,35 mm (1/4"). Quando le cuffie sono collegate, gli altoparlanti interni si spengono automaticamente e il suono si sente unicamente attraverso le cuffie stesse.
2. **Uscita cuffie:** collegare cuffie stereo con connettore stereo da 3,5 mm (1/8"). Quando le cuffie sono collegate, gli altoparlanti interni si spengono automaticamente e il suono si sente unicamente attraverso le cuffie stesse.



Operazione

Inizio rapido

Riproduzione di canzoni Demo

Il pianoforte digitale Prestige Artist presenta 10 canzoni demo:

- **Fantaisie-Improptu in C# Minor Opus 66**
- **Etude Opus 25 No. 1**
- **Polonaise No. 6 in A Flat Major Opus 53**
- **Sonata No. 16 in C Major**
- **Toccata and Fugue in D Minor**
- **Prelude and Fugue No. 30 in D Minor**
- **Prelude and Fugue No. 1 in C Major**
- **Suite of Minuets in F Major**
- **Danse des Mirlitons**
- **Wedding March**

Per riprodurle:

1. Premere e rilasciare il tasto **Demo**. Se il nome della canzone è lungo, scorrerà attraverso lo schermo.
2. Selezionare la canzone Demo servendosi della manopola Value. Il pianoforte riprodurrà le canzoni demo in un loop continuo. Durante la riproduzione, il LED del tasto **Demo** lampeggia.
3. Per uscire dalla modalità Demo, premere e rilasciare nuovamente il tasto **Demo**.

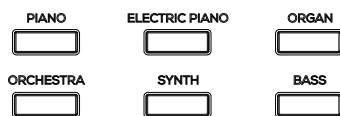
Riproduzione delle voci demo

Ciascun tasto **Voice Select** sul pannello è predefinito con una voce demo. Per riprodurre la demo della voce, tenere premuto il tasto **Demo**, quindi premere uno dei tasti **Voice Select**.

Voci

Il pianoforte digitale Prestige Artist presenta 6 categorie vocali con 5 varianti vocali ciascuna, per un totale di 30 voci tra cui scegliere:

Categoria voce	Piano	Electric Piano	Organ	Orchestra	Synth	Bass
Variante 1:	Pianoforte a coda 1	MK1 EP	Organo jazz	Insieme di archi	Big Synth	Contrabbasso
Variante 2:	Pianoforte a coda 2	Suitcase EP	Organo rock	Coro	Poly Synth (sintetizzazione a più voci)	Basso elettrico
Variante 3:	Bright Piano	Wurli EP	Organo Overdrive	Vibrafono	Acid Synth	Saw Bass
Variante 4:	Pianoforte verticale	Piano FM	Organo a canne 1	Marimba	Synth Pad	Square Bass
Variante 5:	Clavicembalo	Clavi	Organo a canne 2	Celeste	Synth Sweep	Synth di basso



Per selezionare e riprodurre una voce:

1. Premere uno dei tasti **Voice Select** per selezionare una categoria vocale. Il LED corrispondente sarà acceso per tale categoria e a display comparirà il nome della voce corrente.
2. Premere nuovamente lo stesso tasto **Voice Select** o accendere il **Value Encoder** per selezionare una delle altre varianti voce in tale categoria. Il display si aggiornerà e mostrerà quale voce della variante è attualmente selezionata.
3. Suonare i tasti per sentire la voce.

Modalità Layer

Questa funzione consente la sovrapposizione di due voci diverse per ottenere un suono più ricco e pieno.

Per abilitare la modalità Layer:

1. Premere e rilasciare il tasto **Layer**. Il LED corrispondente si accenderà a indicare che la modalità layer è attiva. Quando la modalità Layer è attiva, la voce sovrapposta è considerata la voce R2.
2. Servirsi del **Value Encoder** per selezionare uno dei seguenti parametri, quindi premere il **Value Encoder** per selezionare i dati del parametro per la modifica.
 - **R1**: modifica la voce superiore selezionata.
 - **R2**: modifica la voce layer selezionata.
 - **L1 VOL**: regola il volume della voce layer selezionata da 1 (minimo) a 5 (massimo).
Nota bene: il parametro L1 compare solo se anche la modalità Split è attivata.
 - **R1 VOL**: regola il volume della voce main selezionata da 1 (minimo) a 5 (massimo).
 - **R2 VOL**: regola il volume della voce layer selezionata da 1 (minimo) a 5 (massimo).
3. Una volta finito di modificare i dati di un parametro, premere nuovamente **Value Encoder** per deselectionarlo e riportare l'attenzione del cursore sulla scelta di un altro parametro.
4. Per disabilitare la modalità layer, premere e rilasciare il tasto **Layer** ancora una volta. Il LED corrispondente si spegnerà a indicare che la modalità layer è disattiva.

Modalità Split

Questa modalità consente di dividere gli 88 tasti in due zone in modo da poter avere voci diverse per ciascuna mano. Ad esempio, si potrebbero avere la voce Pianoforte per la mano destra e la voce Basso per quella sinistra. Quando la modalità Split è attiva, ci si riferisce alla voce della mano sinistra come voce divisa. Quando la modalità Split è attiva, la voce a sinistra è considerata la voce L1.

Per abilitare la modalità Split:

1. Premere e rilasciare il tasto **Split**. Il LED corrispondente si accenderà a indicare che la modalità Split è attiva.
2. Tenere premuto il tasto **Split** premendo un tasto **Voice Select** per selezionare una voce split.
 - **L1**: modifica la voce split selezionata.
 - **SPLIT**: seleziona il punto in cui finirà la voce split.

Nota bene: è possibile girare la manopola o premere uno degli 88 tasti quando questo parametro è evidenziato.
 - **L1 VOL**: regola il volume della voce split selezionata da 1 (minimo) a 5 (massimo).
 - **R1 VOL**: regola il volume della voce main selezionata da 1 (minimo) a 5 (massimo).
 - **R2 VOL**: regola il volume della voce main selezionata da 1 (minimo) a 5 (massimo).

Nota bene: il parametro R2 compare solo se anche la modalità Layer è attivata.
3. Una volta finito di modificare i dati di un parametro, premere nuovamente **Value Encoder** per deselectionarlo e riportare l'attenzione del cursore sulla scelta di un altro parametro.
4. Per disabilitare la modalità Layer, premere e rilasciare il tasto **Split** ancora una volta. Il LED corrispondente si spegnerà a indicare che la modalità Split è disattiva.

Per disattivare la modalità Split, premere nuovamente il tasto **Split**. Il LED del tasto Split si spegne quando la modalità Split è disattiva.

Note importanti sulla modalità Split:

- È possibile selezionare rapidamente un punto split tenendo premuto il tasto Split e premendo uno degli 88 tasti.
- Quando si utilizza la modalità Split e la modalità Layer contemporaneamente la zona destra dello split suonerà entrambe le voci stratificate e la zona a sinistra dello split riprodurrà solo la voce dello split.
- Se si entra in modalità Lesson, la modalità Split verrà disattivata.
- La stessa voce non può essere utilizzata in modalità split e layer. In altre parole, le voci superiore, inferiore e split devono sempre essere diverse.

Metronomo

La funzione di metronomo garantisce un battito costante per aiutare a fare esercizio con un tempo costante. Per accendere o spegnere il metronomo premere il tasto **Metronome**. Quando il metronomo è in uso, il LED del tasto **Metronome** lampeggerà a tempo. Il tempo del metronomo può essere regolato liberamente da 30 a 280 battiti al minuto.

Nota bene: il metronomo non può essere utilizzato durante la riproduzione della Demo.

1. Per accendere il metronomo, premere e rilasciare il tasto **Metronome**.
2. Servirsi del **Value Encoder** per selezionare uno dei seguenti parametri, quindi premere il **Value Encoder** per selezionare i dati del parametro per la modifica.
 - **Tempo:** Regola il tempo per il metronomo.
 - **Time Signature:** seleziona quale divisione metrica utilizzare per il metronomo.
 - **Volume:** Regola il volume per il metronomo tra 1 e 5. 1 è il volume più basso, 5 quello più alto.
3. Una volta finito, premere **Value Encoder** per deselegionare i dati del parametro e riportare l'attenzione del cursore sulla scelta di un altro parametro.
4. Premere e rilasciare il tasto **Start/Stop** per avviare/fermare il metronomo.
5. Per disattivare il metronomo, premere e rilasciare il tasto **Metronome** oppure premere e rilasciare il tasto **Start/Stop**.

Arpeggiatore

Per abilitare l'Arpeggiatore:

1. Premere e rilasciare il tasto **Arpeggiator**. Il LED corrispondente si accenderà a indicare che l'arpeggiatore è attivo.
2. Servirsi del **Value Encoder** per selezionare uno dei seguenti parametri, quindi premere il **Value Encoder** per selezionare i dati del parametro per la modifica.
 - **Latch:** attiva o disattiva la funzione di blocco. Se questa è attiva ("ON"), il pattern continuerà fino a quando il tasto non verrà rilasciato. Se questa è disattiva ("OFF"), il pattern si fermerà quando il tasto verrà rilasciato.
 - **Tempo:** Ti permette di impostare il tempo del pattern.
 - **Tipo:** determina in che modo le note arpeggiate saranno riprodotte.
 - **"UP" (su):** le note suoneranno dalla più bassa alla più alta.
 - **"DOWN" (giù):** le note suoneranno dalla più alta alla più bassa.
 - **"INCL" (incluso):** le note suoneranno dalla più bassa alla più alta e viceversa. Le note più basse e più alte suoneranno *due volte* al cambio di direzione.
 - **"EXCL" (escluso):** le note suoneranno dalla più bassa alla più alta e viceversa. Le note più basse e più alte suoneranno solo *una volta* al cambio di direzione.
 - **"ORDER" (ordine):** le note suoneranno nell'ordine in cui vengono premute.
 - **"RANDOM" (casuale):** le note verranno riprodotte in ordine casuale.
 - **Time Division (divisione di tempo):** Seleziona il timing di ciascuna nota utilizzata nel pattern dell'arpeggiatore. L'utente può scegliere tra **1/4, 1/4T, 1/8, 1/8T, 1/16, 1/16T, 1/32, 1/32T**.
 - **Ottava:** determina l'intervallo di ottave dell'arpeggiatore.
 - **"0":** Nessuna ottava
 - **"1":** 1 ottava
 - **"2":** 2 ottave
 - **"3":** 3 ottave
 - **Gate:** determina la lunghezza che avranno le note dell'arpeggiatore. Più sarà corto il gate, più sarà corta la nota. Può essere selezionato con numeri interi da 5-100%.
 - **Part:** seleziona se il pattern va riprodotto solo utilizzando lo split **INFERIORE**, lo split **SUPERIORE** o l'**INTERA** tastiera.
3. Una volta finito di modificare i dati di un parametro, premere nuovamente **Value Encoder** per deselectionarlo e riportare l'attenzione del cursore sulla scelta di un altro parametro.

Per disabilitare l'arpeggiatore, premere e rilasciare il tasto **Arpeggiator** ancora una volta. Il LED corrispondente si spegnerà a indicare che la modalità arpeggiatore è disattiva.

Modalità canzone utente

Per registrare e/o riprodurre una canzone utente:

1. Premere il tasto **Record** per entrare in modalità canzone utente.
2. Premere uno qualsiasi degli **88 tasti** per iniziare a registrare una canzone.
3. Premere nuovamente il tasto **Record** o il tasto **Start/Stop** per interrompere la registrazione.
4. Premere nuovamente il tasto **Start/Stop** per riprodurre la registrazione.
5. Premere nuovamente il tasto **Record** per cancellare la registrazione corrente. Il display tornerà in standby di registrazione

Nota bene: la registrazione non verrà cancellata fino a quando i tasti non saranno premuti per ricominciare la registrazione. Se viene premuto un pulsante qualsiasi diverso dai tasti, la cancellazione della canzone verrà annullata.

Note importanti sulla Modalità canzone utente:

- La canzone utente registrata rimarrà in memoria finché non verrà cancellata.
- Se la memoria interna si riempie durante la registrazione, questa si interromperà e verrà salvata automaticamente. A Display comparirà "Memory Full".

Reverb

Al suono è inoltre possibile aggiungere un effetto di riverbero regolabile.

1. Premere e rilasciare il tasto **Reverb**. Il LED corrispondente si accenderà a indicare che l'effetto riverbero è attivo.
2. Servirsi del **Value Encoder** per selezionare uno dei seguenti parametri, quindi premere il **Value Encoder** per selezionare i dati del parametro per la modifica.
 - **Tipo:** modifica il tipo di riverbero tra le seguenti impostazioni: Hall 1, Hall 2, Room, Stage, Plate.
 - **Depth:** modifica la profondità del riverbero da 0 (minimo) a 100 (massimo).
3. Per disabilitare l'effetto riverbero, premere e rilasciare il tasto **Reverb** ancora una volta. Il LED corrispondente si spegnerà a indicare quando il riverbero è disattivo.

Modalità Lezione

La modalità lezione suddivide gli 88 tasti in due aree con gli stessi pitch e voce. Questo consente allo studente e all'insegnante di guardare facilmente e/o suonare insieme durante le istruzioni senza doversi allontanare dal pianoforte e fare a turno o dovendo allungarsi per suonare lo stesso pitch.

Per disabilitare la modalità lezione Lesson, premere e rilasciare il tasto **Lesson**. Il LED corrispondente si accenderà/spegnerà a indicare che la modalità Lesson è attiva/disattiva.

Nota bene: in modalità lezione, le modalità Layer e Split saranno disattivate automaticamente.

Nota bene: la modalità lezione non può essere selezionata durante la riproduzione della Demo.

Settings (impostazioni)

Per modificare altre impostazioni del pianoforte digitale:

1. Premere e rilasciare il tasto **Settings** (impostazioni). Il display mostrerà la pagina Settings.
2. Servirsi del **Value Encoder** per selezionare uno dei seguenti parametri, quindi premere il value encoder per selezionarlo per la modifica.
 - **Transpose (trasponi):** imposta la trasposizione dell'intera tastiera (da -12 a +12).
 - **Tune:** imposta la sintonia dell'intera tastiera (da -50 a +50).
 - **Touch Sensitivity:** imposta la sensibilità tattile della tastiera:
 - **Fixed:** il livello del volume non cambia affatto per quanto forte o piano vengano suonati gli 88 tasti.
 - **Soft (morbido):** il livello del volume non cambia molto quando vengono suonati piano o forte gli 88 tasti.
 - **Medium (medio):** questa è la risposta standard del pianoforte e l'impostazione predefinita.
 - **Hard (forte):** il livello del volume cambia molto quando vengono suonati piano o forte gli 88 tasti. Per produrre un suono forte, occorre premere forte i tasti.
 - **Canale MIDI:** seleziona il canale MIDI per il quale vengono inviati messaggi USB-MIDI (Omni, 1-16).
 - **Local MIDI:** quando il MIDI locale è acceso (impostazione predefinita), il suono sarà generato e si sentirà attraverso la cassa e i messaggi MIDI saranno inviati all'uscita USB-MIDI quando vengono suonati i tasti. Quando il MIDI locale è spento, il suono non sarà generato, ma i messaggi MIDI saranno inviati ugualmente all'uscita USB-MIDI quando vengono suonati i tasti.
 - **Eco Mode:** quando attivato, spegne l'alimentazione dopo 30 minuti.
 - **Reset valori di fabbrica:** riporta la tastiera ai valori predefiniti di fabbrica.
3. Una volta finito di modificare un parametro, premere nuovamente **Value Encoder** per deselectionarlo e riportare l'attenzione sulla scelta di un altro parametro. Per uscire dalla schermata **Settings** e tornare alla schermata principale, premere nuovamente il tasto **Settings**.

Benutzerhandbuch (Deutsch)

Einführung

Lieferumfang

Prestige Artist	Sustain-Pedal
Netzteil	Benutzerhandbuch
Notenständer	Sicherheitshinweise und Garantieinformationen
Software-Download-Karte	

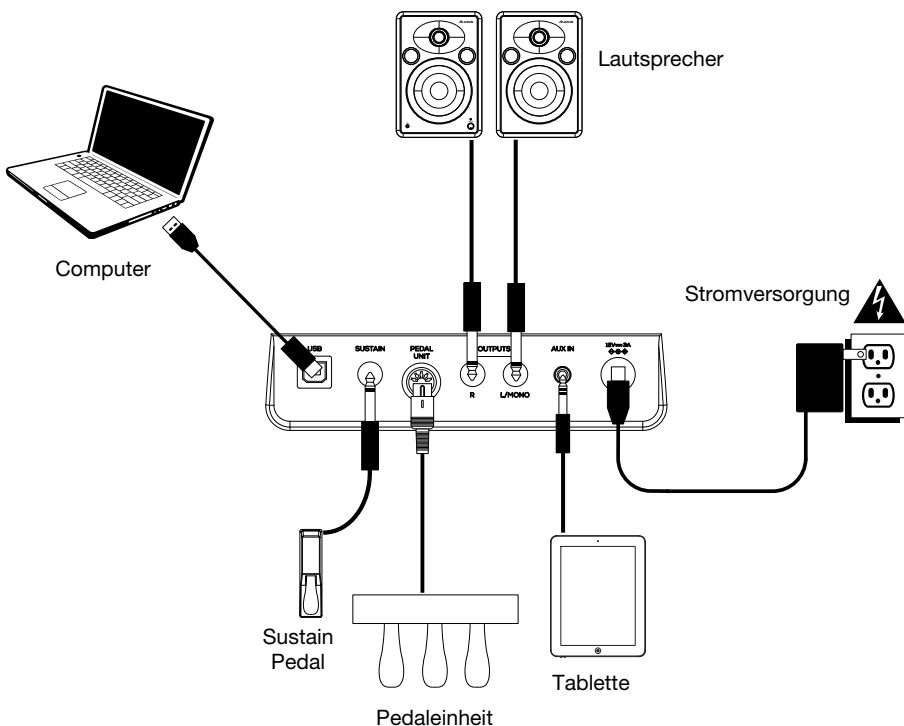
Kundendienst

Für aktuelle Informationen zu diesem Produkt (Systemanforderungen, Informationen zur Kompatibilität etc.) und zur Produktregistrierung besuchen Sie alesis.com.

Um weitere Unterstützung zu Ihrem Produkt zu erhalten, besuchen Sie alesis.com/support.

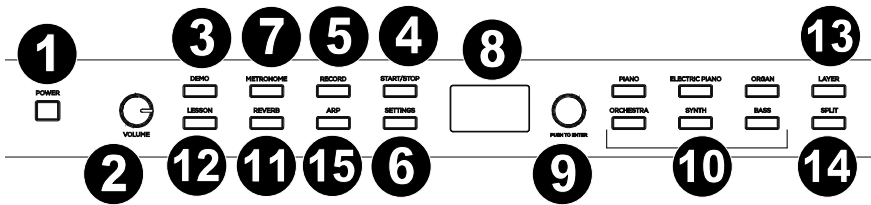
Anschlussdiagramm

Teile, die nicht unter **Einführung > Lieferumfang** angegeben sind, sind separat erhältlich.



Funktionen

Oberseite

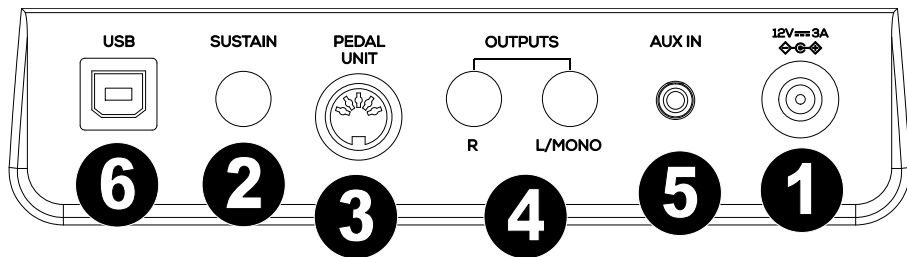


1. **Netzschalter:** Schaltet die Stromversorgung des Pianos ein bzw. aus.
2. **Gesamtlautstärkereglер:** Stellt die Gesamtlautstärke für den Line- und entweder **Kopfhörerausgang** ein.

Hinweis: Wenn die internen Lautsprecher keinen Ton ausgeben, überprüfen Sie, ob der Gesamtlautstärkereglер nicht zu niedrig eingestellt ist, oder ob die Kopfhörer an den entweder **Kopfhörerausgang** angeschlossen sind. Die Lautsprecher werden stumm geschaltet, wenn die Kopfhörer an den entweder **Kopfhörerausgang** angeschlossen sind.

3. **Demo-Taste:** Drücken Sie diese Taste, um die Demo-Wiedergabe zu starten oder zu stoppen.
4. **Start-/Stopp-Taste:** Drücken Sie diese Taste, um die Wiedergabe eines vom Benutzer aufgenommenen Songs zu starten oder zu stoppen.
5. **Aufnahmetaste:** Drücken Sie diese Taste, um den Aufnahmemodus aufzurufen.
6. **Einstellungen-Taste:** Drücken Sie diese Taste, um ein globales Menü zum Bearbeiten verschiedener Einstellungen aufzurufen.
7. **Metronome-Taste:** Um das Metronom ein- oder auszuschalten, drücken Sie diese Taste.
8. **Display:** Verwenden Sie diese Anzeige, um die Menüs, Parameter und Einstellungen von Prestige Artist anzuzeigen.
9. **Value-Rad:** Mit diesem Wählrad navigieren Sie durch Menüs und ändern die Parameterwerte im **Display**.
10. **Voice Select-Tasten:** Drücken Sie eine dieser Tasten, um eine Preset-Voice auszuwählen. Siehe [Betrieb > Voices](#), um mehr zu erfahren.
11. **Reverb-Taste:** Drücken Sie diese Taste, um die Reverb-Funktion zu aktivieren/deaktivieren.
12. **Lektionstaste:** Drücken Sie diese Taste, um den Lektionsmodus zu aktivieren/deaktivieren.
13. **Layer-Taste:** Drücken Sie diese Taste, um den Layer-Modus zu aktivieren/deaktivieren.
14. **Split-Taste:** Drücken Sie diese Taste, um den Split-Modus zu aktivieren/deaktivieren.
15. **Arp:** Drücken Sie diese Taste, um die Arp-Funktion zu aktivieren/deaktivieren.

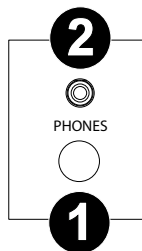
Rückseite



1. **Stromanschluss:** Schließen Sie das mitgelieferte Netzteil hier an.
2. **Sustain Pedal-Eingang:** Schließen Sie hier ein standardmäßiges 6,35 mm (1/4") Sustain-Pedal an.
3. **Pedaleingang:** Schließen Sie eine Pedaleinheit an diesen Eingang an.
4. **Line-Ausgang:** Schließen Sie externe Audiogeräte wie Verstärker, Mischpult oder Recorder an. Verwenden Sie die **R**- und **L**-Ausgänge als Stereo-Ausgang oder nur den **L**-Ausgang als Mono-Ausgang.
5. **Aux-Eingang:** Schließen Sie ein mobiles Gerät oder eine andere Audioquelle an diesen Eingang an. Sie können die Lautstärke dieses Geräts auf Ihrem Mobilgerät oder einer anderen Audioquelle selbst einstellen.
6. **USB-Anschluss:** Ermöglicht die Übertragung von MIDI-Daten auf einen Computer.

Vorderseite

1. **Kopfhörerausgang:** Schließen Sie hier Stereokopfhörer mit einem 6,35 mm (1/4") Stereostecker an. Wenn Kopfhörer angeschlossen sind, werden die internen Lautsprecher automatisch ausgeschaltet und der Ton wird nur über den Kopfhörer zu hören sein.
2. **Kopfhörerausgang:** Schließen Sie hier Stereokopfhörer mit einem 3,5 mm (1/8") Stereostecker an. Wenn Kopfhörer angeschlossen sind, werden die internen Lautsprecher automatisch ausgeschaltet und der Ton wird nur über den Kopfhörer zu hören sein.



Betrieb

Schnellstart

Wiedergabe von Demo-Songs

Das Prestige Artist-Digitalpiano verfügt über 10 Demo-Songs:

- **Fantaisie-Improptu in C# Minor Opus 66**
- **Etude Opus 25 No. 1**
- **Polonaise No. 6 in A Flat Major Opus 53**
- **Sonata No. 16 in C Major**
- **Toccata and Fugue in D Minor**
- **Prelude and Fugue No. 30 in D Minor**
- **Prelude and Fugue No. 1 in C Major**
- **Suite of Minuets in F Major**
- **Danse des Mirlitons**
- **Wedding March**

Um die Demo-Songs abzuspielen:

1. Drücken Sie die **Demo**-Taste und lassen Sie sie los. Wenn der Songname lang ist, wird der Name über den Bildschirm gescrollt.
2. Wählen Sie den Demo-Song mit dem Value-Rad aus. Das Klavier spielt die Demo-Songs in einer Endlosschleife. Während der Wiedergabe blinkt die **Demo**-Taste.
3. Um den Demo-Modus zu verlassen, drücken Sie die **Demo**-Taste erneut und lassen Sie sie wieder los.

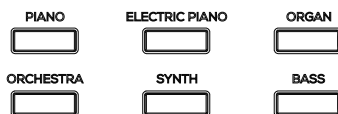
Wiedergabe von Voice-Demos

Jede **Voice Select**-Taste auf dem Bedienfeld hat eine voreingestellte Voice-Demo. Um die Voice-Demo abzuspielen, halten Sie die **Demo**-Taste gedrückt und drücken dann eine der **Voice Select**-Tasten.

Voices

Das Prestige Artist Digitalpiano verfügt über 6 Voice-Kategorien mit jeweils 5 Voice-Varianten, wobei insgesamt 30 Stimmen zur Auswahl stehen:

Voice-Kategorie	Piano	E-Piano	Orgel	Orchester	Synth	Bass
Variation 1	Konzertflügel 1	MK1 EP	Jazz-Orgel	Streicherensemble	Big Synth	Kontrabass
Variation 2	Konzertflügel 2	Suitcase EP	Rock-Orgel	Chor	Poly Synth	E-Bass
Variation 3	Bright Piano	Wurlt EP	Overdrive-Orgel	Vibraphon	Acid Synth	Saw Bass
Variation 4	Klavier	FM Piano	Pfeifenorgel 1	Marimba	Synth Pad	Square Bass
Variation 5	Cembalo	Clavi	Pfeifenorgel 2	Celesta	Synth Sweep	Synth Bass



Um eine Voice auszuwählen und wiederzugeben:

1. Drücken Sie eine der **Voice Select** -Tasten, um eine Voice-Kategorie auszuwählen. Die entsprechende LED für diese Voice-Kategorie leuchtet nun und auf dem Display erscheint der aktuelle Voice-Name.
2. Drücken Sie dieselbe **Voice Select** -Taste erneut oder drehen den **Value Encoder**, um eine andere Voice-Variante in dieser Kategorie auszuwählen. Der Bildschirm wird aktualisiert und zeigt an, welche Variationsstimme gerade ausgewählt ist.
3. Spielen Sie die Klaviaturtasten, um die Voice zu hören.

Layer-Modus

Im Layer-Modus können zwei verschiedene Voices für einen volleren Klang übereinander geschichtet werden.

Um den Layer-Modus zu aktivieren:

1. Drücken Sie die **Layer** -Taste und lassen Sie sie los. Die entsprechende LED leuchtet auf, um anzuzeigen, dass der Layer-Modus aktiviert ist. Wenn der Layer-Modus aktiviert ist, wird die Layer-Voice als R2-Voice bezeichnet.
2. Drehen Sie den **Value Encoder**, um einen der folgenden Parameter auszuwählen und drücken dann den **Value Encoder**, um die Daten des Parameters zur Bearbeitung auszuwählen.
 - **R1:** Ändert die ausgewählte obere Stimme.
 - **R2:** Ändert die ausgewählte Layer-Voice.
 - **L1 VOL:** Stellt die Lautstärke der ausgewählten Layer-Voice zwischen 1 (niedrigste) und 5 (lauteste) ein.
Hinweis: Der Parameter L1 sollte nur angezeigt werden, wenn auch der Split-Modus aktiviert ist.
 - **R1 VOL:** Stellt die Lautstärke der ausgewählten Main-Voice zwischen 1 (niedrigste) und 5 (lauteste) ein.
 - **R2 VOL:** Stellt die Lautstärke der ausgewählten Layer-Voice zwischen 1 (niedrigste) und 5 (lauteste) ein.
3. Wenn Sie mit dem Bearbeiten der Parameterdaten fertig sind, drücken Sie den **Value Encoder** erneut, um die Auswahl der Parameterdaten aufzuheben und den Cursorfokus wieder auf die Auswahl eines anderen Parameters zu ändern.
4. Um den Layer-Modus zu deaktivieren, drücken Sie kurz die **Layer** -Taste. Die entsprechende LED erlischt, um anzuzeigen, dass der Layer-Modus deaktiviert ist.

Split-Modus

Im Split-Modus können Sie die 88 Tasten in zwei Zonen aufteilen, so dass Sie zwei verschiedene Voices für jede Hand haben. Zum Beispiel könnten Sie die Piano-Voice für die rechte Hand und die Bass-Voice für die linke Hand verwenden. Wenn der Split-Modus aktiviert ist, wird die Voice der linken Hand als Split-Voice bezeichnet. Wenn der Split-Modus aktiviert ist, wird die Voice der linken Hand als L1 Voice bezeichnet.

Um den Split-Modus zu aktivieren:

1. Drücken Sie die **Split** -Taste und lassen Sie sie los. Die entsprechende LED leuchtet auf, um anzuzeigen, dass der Split-Modus aktiviert ist.
2. Halten Sie die **Split** -Taste gedrückt, während Sie eine **Voice Select**-Taste drücken, um eine Split-Voice auszuwählen.

- **L1:** Ändert die ausgewählte Split-Voice.
- **SPLIT:** Wählt aus, wo die Split-Voice enden soll.

Hinweis: Sie können den Drehknopf drehen oder eine der 88 Tasten drücken, wenn dieser Parameter fokussiert ist.

- **L1 VOL:** Stellt die Lautstärke der ausgewählten Split-Voice zwischen 1 (niedrigste) und 5 (lauteste) ein.
- **R1 VOL:** Stellt die Lautstärke der ausgewählten Main-Voice zwischen 1 (niedrigste) und 5 (lauteste) ein.
- **R2 VOL:** Stellt die Lautstärke der ausgewählten Main-Voice zwischen 1 (niedrigste) und 5 (lauteste) ein.

Hinweis: Der R2 Parameter wird nur angezeigt, wenn auch der Layer-Modus aktiviert ist.

3. Wenn Sie mit dem Bearbeiten der Parameterdaten fertig sind, drücken Sie den **Value Encoder** erneut, um die Auswahl der Parameterdaten aufzuheben und den Cursorfokus wieder auf die Auswahl eines anderen Parameters zu ändern.

Um den Layer-Modus zu deaktivieren, drücken Sie kurz erneut die **Split** -Taste. Die entsprechende LED erlischt, um anzuzeigen, dass der Split-Modus deaktiviert ist.

Um den Split-Modus zu deaktivieren, drücken Sie erneut die Taste **Split**. Die Split-Tasten-LED erlischt, wenn der Split-Modus deaktiviert ist.

Wichtige Hinweise zum Split-Modus:

- Sie können schnell einen Split-Punkt auswählen, indem Sie die Split-Taste gedrückt halten und eine der 88 Tasten drücken.
- Wenn Sie den Split-Modus und den Layer-Modus gleichzeitig verwenden, spielt die rechte Zone beide übereinander gelagerten Voices und die linke Zone nur die Split-Voice.
- Der Split-Modus wird deaktiviert, wenn Sie in den Lektions-Modus wechseln.
- Dieselbe Voice kann nicht im Split- und Layer-Modus verwendet werden. Mit anderen Worten, die obere, untere und die Split-Voice müssen immer unterschiedlich sein.

Erweiterte Funktionen

Metronom

Die Metronom-Funktion bietet einen konstanten Rhythmus, um beim Üben bei gleichbleibender Geschwindigkeit zu helfen. Um das Metronom ein- oder auszuschalten, drücken Sie die **Metronome**-Taste. Wenn das Metronom im Einsatz ist, blinkt die **Metronome**-Tasten-LED im Takt des aktuellen Tempos. Das Tempo des Metronoms kann frei von 30–280 Schläge pro Minute eingestellt werden.

Hinweis: Das Metronom kann während der Demo-Wiedergabe nicht verwendet werden.

1. Um das Metronom zu aktivieren, drücken Sie kurz die **Metronome**-Taste.
2. Drehen Sie den **Value Encoder**, um einen der folgenden Parameter auszuwählen und drücken dann den **Value Encoder**, um die Daten des Parameters zur Bearbeitung auszuwählen.
 - **Tempo:** Passt das Tempo für das Metronom an.
 - **Taktart:** Wählt aus, welche Taktart für das Metronom verwendet werden soll.
 - **Lautstärke:** Stellen Sie die Lautstärke für das Metronom zwischen 1 und 5 ein. 1 ist die niedrigste und 5 die lauteste Lautstärke.
3. Wenn Sie fertig sind, drücken Sie den **Value Encoder**, um die Auswahl der Parameterdaten aufzuheben und den Cursorfokus wieder auf die Auswahl eines anderen Parameters zu ändern.
4. Drücken Sie kurz die **Start/Stop** -Taste, um das Metronom zu starten/stoppen.
5. Um das Metronom zu deaktivieren, drücken Sie kurz die **Metronome**-Taste oder drücken Sie kurz die **Start/Stop** -Taste.

Arpeggiatur

So aktivieren Sie den Arpeggiator:

1. Drücken Sie kurz die **Arpeggiator** -Taste. Die entsprechende LED leuchtet auf, um anzuzeigen, wann der Arpeggiator aktiviert ist.
2. Drehen Sie den **Value Encoder**, um einen der folgenden Parameter auszuwählen und drücken dann den **Value Encoder**, um die Daten des Parameters zur Bearbeitung auszuwählen.
 - **Einrasten:** Aktiviert oder deaktiviert die Latch-Funktionalität. Wenn dies auf "EIN" steht, wird das Pattern fortgesetzt, wenn die Taste losgelassen wird. Wenn dies auf "AUS" steht, wird das Pattern gestoppt, wenn die Taste losgelassen wird.
 - **Tempo:** Hier können Sie das Tempo des Patterns einstellen.
 - **Typ:** Legt fest, wie die arpeggierten Noten wiedergegeben werden.
 - **Aufwärts "UP":** Die Noten werden von der tiefsten bis zur höchsten wiedergegeben.
 - **Abwärts "DOWN":** Die Noten werden von der höchsten bis zur tiefsten wiedergegeben.
 - **Inklusive "INCL":** Die Noten werden vom tiefsten bis zum höchsten Ton und dann umgekehrt wiedergegeben. Die tiefsten und höchsten Noten werden beim "Richtungswechsel" zweimal wiedergegeben.
 - **Exklusiv "EXCL":** Die Noten werden vom tiefsten bis zum höchsten Ton und dann umgekehrt wiedergegeben. Die niedrigsten und höchsten Noten werden nur einmal beim Richtungswechsel wiedergegeben.
 - **Reihenfolge "ORDER":** Noten werden in der Reihenfolge abgespielt, in der sie gespielt wurden.
 - **Zufall "RANDOM":** Die Noten werden in zufälliger Reihenfolge zu hören sein.
 - **Zeiteinteilung:** Wählt das Timing jeder im Arpeggiator-Pattern verwendeten Note aus. Der Benutzer kann zwischen **1/4, 1/4T, 1/8, 1/8T, 1/16, 1/16T, 1/32 und 1/32T** wählen.
 - **Oktave:** Bestimmt den Oktavbereich der Arpeggiatoren.
 - **"0":** Keine Oktaven
 - **"1":** 1 Oktave
 - **"2":** 2 Oktaven
 - **"3":** 3 Oktaven
 - **Gate:** Legt fest, wie lang die Arpeggiator-Noten sein sollen. Je kürzer das Gate, desto kürzer die Note. Sie können dies in ganzen Zahlen von 5-100% auswählen.
 - **Teil:** Wählt aus, ob das Pattern nur bei Verwendung des **LOWER**-Split, des **UPPER** -Split oder des **FULL** -Keyboards gespielt werden soll.
3. Wenn Sie mit dem Bearbeiten der Parameterdaten fertig sind, drücken Sie den **Value Encoder** erneut, um die Auswahl der Parameterdaten aufzuheben und den Cursorfokus wieder auf die Auswahl eines anderen Parameters zu ändern.

Um den Arpeggiator zu deaktivieren, drücken Sie die **Arpeggiator** -Taste erneut und lassen Sie sie wieder los. Die entsprechende LED erlischt, um anzuzeigen, wann der Arpeggiator deaktiviert ist.

User Song-Modus

Zur Aufnahme und/oder Wiedergabe eines User-Songs:

1. Drücken Sie die **Record**-Taste, um in den User Song-Modus zu gelangen.
2. Drücken Sie eine der **88 Tasten**, um die Aufnahme eines Songs zu starten.
3. Drücken Sie erneut die **Record** -Taste oder die **Start/Stop** -Taste, um die Aufnahme zu beenden.
4. Drücken Sie die **Start/Stop** Taste erneut, um die Aufnahme wiederzugeben.
5. Drücken Sie die Taste **Record** erneut, um die aktuelle Aufnahme zu löschen. Das Display kehrt in den Aufnahme-Standby-Modus zurück.

Hinweis: Die Aufnahme wird erst gelöscht, wenn die Tasten gespielt werden, um die Aufnahme erneut zu starten. Wenn Sie außer den Keyboardtasten eine andere Taste drücken, wird der Löschvorgang abgebrochen.

Wichtige Hinweise zum User-Song-Modus:

- Der aufgenommene User-Song bleibt im Speicher, bis er gelöscht wird.
- Wenn der interne Speicher während der Aufnahme voll wird, wird die Aufnahme automatisch gestoppt und gespeichert. Das Display zeigt "Speicher voll" an.

Reverb

Sie können Ihrem Sound auch einen einstellbaren Reverb-Effekt hinzufügen.

1. Drücken Sie die **Reverb**-Taste und lassen Sie sie los. Die entsprechende LED leuchtet auf, um anzuzeigen, wann der Reverb-Effekt aktiviert ist.
2. Drehen Sie den **Value Encoder**, um einen der folgenden Parameter auszuwählen und drücken dann den **Value Encoder**, um die Daten des Parameters zur Bearbeitung auszuwählen.
 - **Typ:** Ändert den Halltyp zwischen den folgenden Einstellungen: Halle 1, Halle 2, Raum, Bühne, Platte.
 - **Tiefe:** Ändert die Tiefe des Nachhalls von 0 (Minimum) auf 100 (Maximum).
3. Um den Reverb-Effekt zu deaktivieren, drücken Sie die **Reverb** -Taste erneut und lassen Sie sie wieder los. Die entsprechende LED erlischt, um anzuzeigen, wann der Reverb deaktiviert ist.

Lektionsmodus

Der Lektionsmodus teilt die 88 Tasten in zwei Zonen mit gleicher Tonhöhe und Voice auf. Auf diese Weise können sowohl Schüler als auch Lehrer leicht beobachten und/oder während des Unterrichts gemeinsam spielen, ohne sich vom Klavier wegbewegen zu müssen, abwechselnd spielen zu müssen oder übereinander greifen zu müssen, um die gleiche Tonhöhe zu spielen.

Um den Lektionsmodus zu aktivieren/deaktivieren, drücken Sie kurz die **Lesson** -Taste. Die entsprechende LED schaltet sich ein/aus, um anzuzeigen, ob der Lektionsmodus aktiviert/deaktiviert ist.

Hinweis: Im Lektionsmodus sind die Layer- und Split-Modi automatisch deaktiviert.

Hinweis: Der Lektionsmodus kann während der Demo-Wiedergabe nicht ausgewählt werden.

So ändern Sie andere Einstellungen des Digitalpianos:

1. Drücken Sie kurz die Taste **Settings**. Das Display zeigt die Seite Einstellungen an.
2. Verwenden Sie den **Value Encoder**, um einen der folgenden Parameter auszuwählen und drücken ihn dann, um ihn zur Bearbeitung auszuwählen.
 - **Transponieren:** Legt die Transposition der vollständigen Klaviatur fest (-12 bis +12)
 - **Tuning:** Stellt das Tuning der gesamten Klaviatur ein (-50 bis +50).
 - **Berührungsempfindlichkeit:** Legt die Berührungsempfindlichkeit der Klaviatur fest:
 - **Fixiert:** Die Lautstärke ändert sich überhaupt nicht, unabhängig davon, wie leicht oder stark Sie die 88 Tasten anschlagen.
 - **Weich:** Die Lautstärke ändert sich nicht wesentlich, unabhängig davon, wie leicht oder stark Sie die 88 Tasten anschlagen.
 - **Mittel:** Dies ist die standardmäßige Piano-Anschlagdynamik und die Standardeinstellung.
 - **Hart:** Die Lautstärke ändert sich wesentlich, je nachdem, wie leicht oder stark Sie die 88 Tasten anschlagen. Sie müssen die Tasten hart anschlagen, um einen lauten Ton zu erzeugen.
 - **MIDI-Kanal:** Wählt den MIDI-Kanal aus, für den USB-MIDI-Nachrichten gesendet werden (Omni, 1-16).
 - **Lokales MIDI:** Wenn lokales MIDI aktiviert ist (Standardeinstellung), wird Ton erzeugt und über die Lautsprecher ausgegeben und MIDI-Meldungen werden an den USB-MIDI-Ausgang gesendet, wenn die Tasten gespielt werden. Wenn das lokale MIDI ausgeschaltet ist, wird kein Ton erzeugt, es werden jedoch weiterhin MIDI-Meldungen an den USB-MIDI-Ausgang gesendet, wenn die Tasten gespielt werden.
 - **Eco-Modus:** Wenn diese Option aktiviert ist, schaltet sich das Gerät nach 30 Minuten aus.
 - **Auf Werkseinstellungen zurücksetzen:** Stellt die werkseitigen Standardeinstellungen des Keyboards wieder her.
3. Wenn Sie mit dem Bearbeiten der Parameterdaten fertig sind, drücken Sie den **Value Encoder** erneut, um die Auswahl der Parameterdaten aufzuheben und den Cursorfokus wieder auf die Auswahl eines anderen Parameters zu ändern. Um den **Settings**-Bildschirm zu verlassen und zum Hauptbildschirm zurückzukehren, drücken Sie erneut die Taste **Settings**.

Appendix (English)

Technical Specifications

Keyboard	88 graded hammer-action keys
Polyphony	256
Sounds	30
Demos	10 piano demo songs
Metronome Tempo Range	30-280
Speakers	<p>Speaker Configuration: Micro-Array</p> <p>Total Amp Power: 50 W (25 W x 2)</p> <ul style="list-style-type: none"> • Woofers: (4) 2.5" woofers • Passive Radiators: (4) 2.5" passive radiators
Connectors	<p>(2) 1/4" (6.35 mm) TRS line outputs</p> <p>(1) 1/4" (6.35 mm) TRS headphone output</p> <p>(1) 1/8" (3.5 mm) TRS headphone output</p> <p>(1) 1/4" (6.35 mm) TRS sustain pedal input</p> <p>(1) 3-Pedal DIN connector</p> <p>(1) USB Type-B port</p> <p>(1) Power adapter inlet</p>
Power	12V DC 3A, center-pin positive power adapter (included)
Dimensions (width x depth x height)	52.08" x 11.7" x 5.88" / 132.2 x 29.7 x 14.9 cm
Weight	28.21 lbs. / 12.8 kg

Specifications are subject to change without notice.

Trademarks & Licenses

Alesis is a trademark of inMusic Brands, Inc., registered in the U.S. and other countries.

All other product names, company names, trademarks, or trade names are those of their respective owners.

alesis.com